

# CITY OF DUNCAN

## McADAM PARK PLAYGROUND DECEMBER 2023

**GENERAL NOTES:**

1. THE CITY OF DUNCAN REFERENCES MMCD PLATINUM EDITION VOLUME II 2009 CONSTRUCTION SPECIFICATIONS. UNLESS OTHERWISE SPECIFIED HEREIN, THE CITY OF DUNCAN RESERVES THE RIGHT TO MODIFY/ALTER ANY MMCD SPECIFICATION TO SUIT THE CITY OF DUNCAN.
2. IT IS THE SOLE RESPONSIBILITY OF THE CONTRACTOR TO REINSTATE ANY SURFACE WORKS OR UNDERGROUND UTILITIES INCLUDING IRRIGATION LINES TO EXISTING OR BETTER CONDITION IF DAMAGED BY THE CONTRACTOR OR SUBCONTRACTOR DUE TO CONSTRUCTION.
3. THE LOCATION OF EXISTING UNDERGROUND UTILITIES HAVE BEEN COMPILED FROM DIFFERENT SOURCES AND ARE APPROXIMATE ONLY. EXACT LOCATION IS UNKNOWN AND MUST BE CONFIRMED PRIOR TO CONSTRUCTION. THE CITY ACCEPTS NO RESPONSIBILITY FOR THE ACCURACY OF THE INFORMATION SHOWN.
4. CONTRACTOR TO COMPLY WITH ALL ENVIRONMENTAL, FISHERIES, LEGISLATION, REGULATIONS AND CITY OF DUNCAN BY-LAWS DURING CONSTRUCTION.
5. ALL WORK IS TO CONFORM TO THE CITY OF DUNCAN'S TREE PROTECTION BYLAW NO.3135. THIS BYLAW CAN BE FOUND ON THE CITY OF DUNCAN WEBSITE. WORK UNDER BYLAW PROTECTED TREES MUST BE DONE UNDER THE GUIDANCE OF AN ARBORIST.
6. NOT ALL, IF ANY, EXISTING STRUCTURES OR LANDSCAPING ARE SHOWN. CONTRACTOR TO IDENTIFY ANY DESIGN CONFLICTS WITH STRUCTURES AND/OR LANDSCAPING PRIOR TO INSTALLATION. IF ANY DESIGN CONFLICTS ARE FOUND THE CONTRACTOR IS TO CONTACT THE CONTRACT ADMINISTRATOR IMMEDIATELY.
7. ANY MATERIALS, INCLUDING BUT NOT LIMITED TO SOIL, ORGANIC WASTE, PARTS, CONCRETE, ETC. TO BE REMOVED AS A PART OF CONSTRUCTION IS TO BE DISPOSED OF OFF SITE AT THE CONTRACTORS EXPENSE.
8. CONTRACTOR IS RESPONSIBLE FOR RECORDING ALL ACTUAL SITE CONDITIONS.
9. CONTRACTOR IS RESPONSIBLE FOR ALL SURVEY LAYOUT. THE CITY OF DUNCAN WILL PROVIDE INITIAL SURVEY CONTROL.
10. ANY NON-EMERGENCY ASSISTANCE FROM THE CITY OF DUNCAN'S PUBLIC WORKS CREW REQUIRES 1 WEEKS NOTICE.

**WATER**

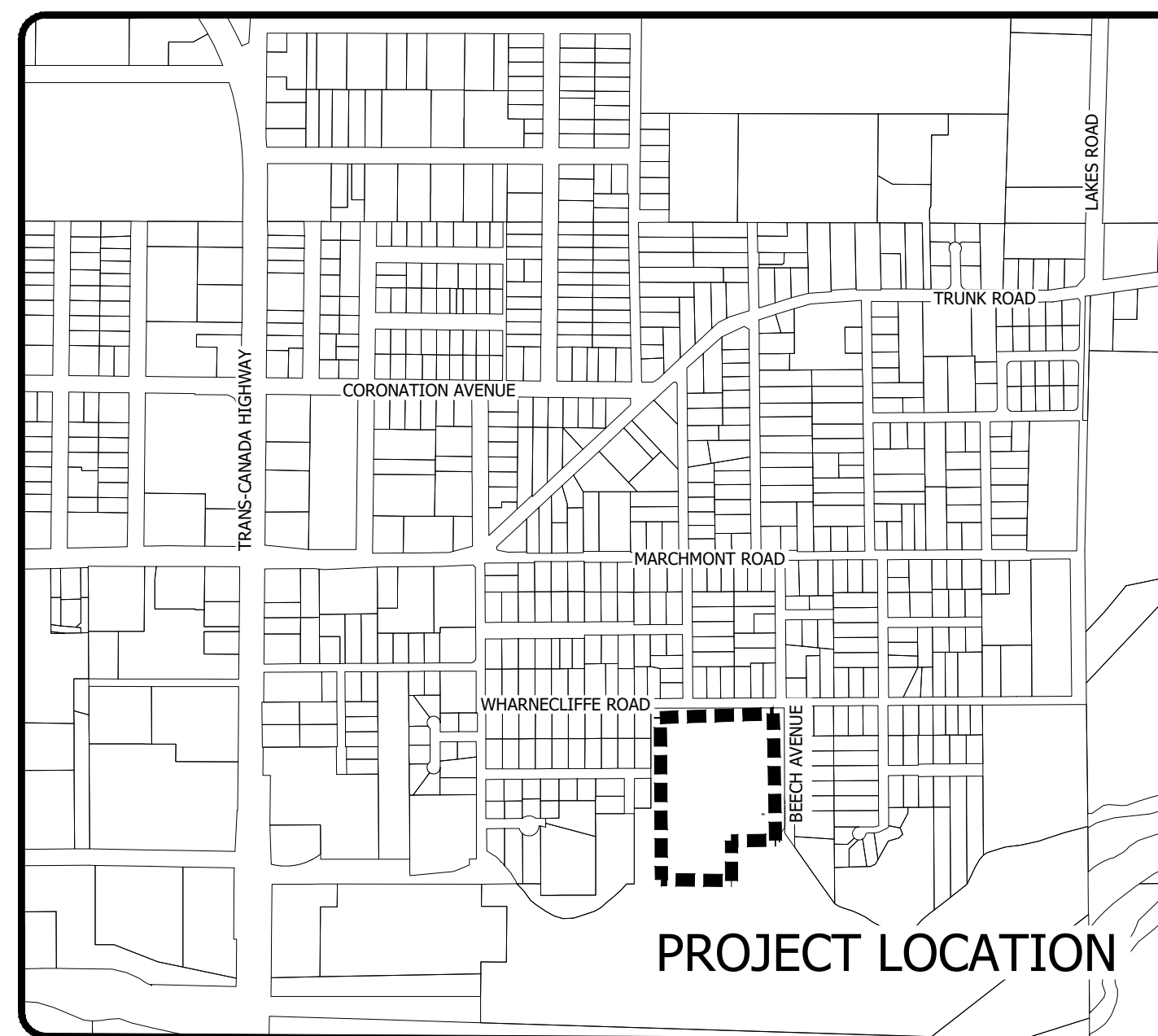
11. THE MINIMUM DEPTH OF COVER ON WATER SERVICES SHALL BE 0.7m UNLESS OTHERWISE PERMITTED BY THE CITY OF DUNCAN.
12. ALL SERVICES ARE TO BE 19mm MST 200 POLY UNLESS OTHERWISE NOTED.
13. CONTRACTOR IS NOT PERMITTED TO OPERATE ANY EXISTING VALVES (GATE OR OTHER) THAT ARE ON THE LIVE WATER DISTRIBUTION SYSTEM. CONTRACTOR TO COORDINATE ANY LIVE SYSTEM APPURTENANCES WITH 2 WEEKS NOTICE.
14. WATER FOUNTAIN TO BE CITY OF CALGARY DRINKING FOUNTAIN P2022-355
15. WATER SAMPLES FOR HEALTH TESTS TO BE COLLECTED AND PROCESSED BY CONTRACTOR IN THE PRESENCE OF CITY OF DUNCAN PERSONNEL.
16. CONTRACTOR TO MAKE ALL CONNECTIONS TO EXISTING WATER MAINS IN THE PRESENCE OF CITY OF DUNCAN WATER OPERATOR WITH MINIMUM 7 DAY NOTICE.

**SANITARY/STORM**

17. ALL CATCH BASIN LEADS ARE TO BE PVC SDR28 UNLESS OTHERWISE NOTED.
18. THE CITY OF DUNCAN ONLY PERMITS LONG RADIUS SWEEP BENDS.
19. ALL BACKFILL MATERIALS ARE TO BE IN ACCORDANCE WITH MMCD PLATINUM EDITION VOLUME II 2009 CONSTRUCTION SPECIFICATIONS.
20. ALL COMPACTION IS TO BE COMPLETED IN ACCORDANCE WITH MMCD PLATINUM EDITION VOLUME II 2009 CONSTRUCTION SPECIFICATIONS.
21. ALL BACKFILL MATERIAL IS TO BE COMPACTION TESTED IN 300mm LIFTS. EACH LIFT IS TO BE COMPACTION TESTED IN 50m INTERVALS.

**DRAWING INDEX**

- C01 - TITLE SHEET
- C02 - SITE PLAN
- C03 - PLAYGROUND SIDEWALK PLAN & PROFILE
- C04 - NORTH AND SOUTH SIDEWALK PLAN & PROFILE
- C05 - WEST SIDEWALK PLAN & PROFILE
- C06 - WEST SIDEWALK CORRIDOR CROSS SECTIONS
- C07 - PLAYGROUND PLAN & PROFILE
- C08 - DRY WELL PLAN & PROFILE
- C09 - SIDEWALK GRADING PLAN
- C10 - SUBGRADE GRADING PLAN
- C11 - STANDARD DETAILS
- P2022-355-0000A PG1 - WATER FOUNTAIN DETAILS 1
- P2022-355-0000A PG2 - WATER FOUNTAIN DETAILS 2
- P2022-355-0001A - WATER FOUNTAIN DETAILS 3



PROJECT LOCATION

LEGEND	PROPOSED	WATERMAIN	WATERMAIN BLOW OFF	WATER SERVICE	WATER VALVE	WATERMAIN REDUCER	WATERMAIN COUPLER	FIRE HYDRANT	ARV	WATERMAIN	WATER SERVICE METER	WATER SERVICE VALVE	WATERMAIN REDUCER	WATERMAIN COUPLER	FIRE HYDRANT	GAS	ARV	CATCH BASIN	LINE BREAK	FENCE	UTILITY POLE AND ANCHOR	SIGN	GUTTER LINE	WATER COURSE	SCALE OF LEDGEND: NTS	DESIGNED BY: BM	APPROVED BY: BM	SCALE	FILE NUMBER: 2022.027
	EXISTING	WATERMAIN	WATERMAIN CAP	WATERMAIN LINE BREAK	STORM MAIN	STORM CLEANOUT	STORM SERVICE	STORM SERVICE	CATCH BASIN	WATERMAIN BLOW OFF	WATER SERVICE	WATER VALVE	WATERMAIN REDUCER	WATERMAIN COUPLER	STORM SERVICE	INLET/OUTLET/HEADWALL	BC HYDRO	WATERMAIN	WATER SERVICE	WATER SERVICE	WATER SERVICE	WATER SERVICE	WATER SERVICE	WATER SERVICE	WATER SERVICE	DESIGNED BY: CP	APPROVED BY: CP	H2. SCALE: 1:7500	CITY OF DUNCAN
		WATERMAIN	WATERMAIN CAP	WATERMAIN LINE BREAK	STORM MAIN	STORM CLEANOUT	STORM SERVICE	STORM SERVICE	CATCH BASIN	WATERMAIN BLOW OFF	WATER SERVICE	WATER VALVE	WATERMAIN REDUCER	WATERMAIN COUPLER	STORM SERVICE	INLET/OUTLET/HEADWALL	BC HYDRO	WATERMAIN	WATER SERVICE	WATER SERVICE	WATER SERVICE	WATER SERVICE	WATER SERVICE	WATER SERVICE	DESIGNED BY: CP	APPROVED BY: CP	VI. SCALE: N/A	CITY OF DUNCAN	
		WATERMAIN	WATERMAIN CAP	WATERMAIN LINE BREAK	STORM MAIN	STORM CLEANOUT	STORM SERVICE	STORM SERVICE	CATCH BASIN	WATERMAIN BLOW OFF	WATER SERVICE	WATER VALVE	WATERMAIN REDUCER	WATERMAIN COUPLER	STORM SERVICE	INLET/OUTLET/HEADWALL	BC HYDRO	WATERMAIN	WATER SERVICE	WATER SERVICE	WATER SERVICE	WATER SERVICE	WATER SERVICE	WATER SERVICE	DESIGNED BY: CP	APPROVED BY: CP	VI. SCALE: N/A	CITY OF DUNCAN	
		WATERMAIN	WATERMAIN CAP	WATERMAIN LINE BREAK	STORM MAIN	STORM CLEANOUT	STORM SERVICE	STORM SERVICE	CATCH BASIN	WATERMAIN BLOW OFF	WATER SERVICE	WATER VALVE	WATERMAIN REDUCER	WATERMAIN COUPLER	STORM SERVICE	INLET/OUTLET/HEADWALL	BC HYDRO	WATERMAIN	WATER SERVICE	WATER SERVICE	WATER SERVICE	WATER SERVICE	WATER SERVICE	WATER SERVICE	DESIGNED BY: CP	APPROVED BY: CP	VI. SCALE: N/A	CITY OF DUNCAN	
		WATERMAIN	WATERMAIN CAP	WATERMAIN LINE BREAK	STORM MAIN	STORM CLEANOUT	STORM SERVICE	STORM SERVICE	CATCH BASIN	WATERMAIN BLOW OFF	WATER SERVICE	WATER VALVE	WATERMAIN REDUCER	WATERMAIN COUPLER	STORM SERVICE	INLET/OUTLET/HEADWALL	BC HYDRO	WATERMAIN	WATER SERVICE	WATER SERVICE	WATER SERVICE	WATER SERVICE	WATER SERVICE	WATER SERVICE	DESIGNED BY: CP	APPROVED BY: CP	VI. SCALE: N/A	CITY OF DUNCAN	
		WATERMAIN	WATERMAIN CAP	WATERMAIN LINE BREAK	STORM MAIN	STORM CLEANOUT	STORM SERVICE	STORM SERVICE	CATCH BASIN	WATERMAIN BLOW OFF	WATER SERVICE	WATER VALVE	WATERMAIN REDUCER	WATERMAIN COUPLER	STORM SERVICE	INLET/OUTLET/HEADWALL	BC HYDRO	WATERMAIN	WATER SERVICE	WATER SERVICE	WATER SERVICE	WATER SERVICE	WATER SERVICE	WATER SERVICE	DESIGNED BY: CP	APPROVED BY: CP	VI. SCALE: N/A	CITY OF DUNCAN	
		WATERMAIN	WATERMAIN CAP	WATERMAIN LINE BREAK	STORM MAIN	STORM CLEANOUT	STORM SERVICE	STORM SERVICE	CATCH BASIN	WATERMAIN BLOW OFF	WATER SERVICE	WATER VALVE	WATERMAIN REDUCER	WATERMAIN COUPLER	STORM SERVICE	INLET/OUTLET/HEADWALL	BC HYDRO	WATERMAIN	WATER SERVICE	WATER SERVICE	WATER SERVICE	WATER SERVICE	WATER SERVICE	WATER SERVICE	DESIGNED BY: CP	APPROVED BY: CP	VI. SCALE: N/A	CITY OF DUNCAN	
		WATERMAIN	WATERMAIN CAP	WATERMAIN LINE BREAK	STORM MAIN	STORM CLEANOUT	STORM SERVICE	STORM SERVICE	CATCH BASIN	WATERMAIN BLOW OFF	WATER SERVICE	WATER VALVE	WATERMAIN REDUCER	WATERMAIN COUPLER	STORM SERVICE	INLET/OUTLET/HEADWALL	BC HYDRO	WATERMAIN	WATER SERVICE	WATER SERVICE	WATER SERVICE	WATER SERVICE	WATER SERVICE	WATER SERVICE	DESIGNED BY: CP	APPROVED BY: CP	VI. SCALE: N/A	CITY OF DUNCAN	
		WATERMAIN	WATERMAIN CAP	WATERMAIN LINE BREAK	STORM MAIN	STORM CLEANOUT	STORM SERVICE	STORM SERVICE	CATCH BASIN	WATERMAIN BLOW OFF	WATER SERVICE	WATER VALVE	WATERMAIN REDUCER	WATERMAIN COUPLER	STORM SERVICE	INLET/OUTLET/HEADWALL	BC HYDRO	WATERMAIN	WATER SERVICE	WATER SERVICE	WATER SERVICE	WATER SERVICE	WATER SERVICE	WATER SERVICE	DESIGNED BY: CP	APPROVED BY: CP	VI. SCALE: N/A	CITY OF DUNCAN	
		WATERMAIN	WATERMAIN CAP	WATERMAIN LINE BREAK	STORM MAIN	STORM CLEANOUT	STORM SERVICE	STORM SERVICE	CATCH BASIN	WATERMAIN BLOW OFF	WATER SERVICE	WATER VALVE	WATERMAIN REDUCER	WATERMAIN COUPLER	STORM SERVICE	INLET/OUTLET/HEADWALL	BC HYDRO	WATERMAIN	WATER SERVICE	WATER SERVICE	WATER SERVICE	WATER SERVICE	WATER SERVICE	WATER SERVICE	DESIGNED BY: CP	APPROVED BY: CP	VI. SCALE: N/A	CITY OF DUNCAN	
		WATERMAIN	WATERMAIN CAP	WATERMAIN LINE BREAK	STORM MAIN	STORM CLEANOUT	STORM SERVICE	STORM SERVICE	CATCH BASIN	WATERMAIN BLOW OFF	WATER SERVICE	WATER VALVE	WATERMAIN REDUCER	WATERMAIN COUPLER	STORM SERVICE	INLET/OUTLET/HEADWALL	BC HYDRO	WATERMAIN	WATER SERVICE	WATER SERVICE	WATER SERVICE	WATER SERVICE	WATER SERVICE	WATER SERVICE	DESIGNED BY: CP	APPROVED BY: CP	VI. SCALE: N/A	CITY OF DUNCAN	
		WATERMAIN	WATERMAIN CAP	WATERMAIN LINE BREAK	STORM MAIN	STORM CLEANOUT	STORM SERVICE	STORM SERVICE	CATCH BASIN	WATERMAIN BLOW OFF	WATER SERVICE	WATER VALVE	WATERMAIN REDUCER	WATERMAIN COUPLER	STORM SERVICE	INLET/OUTLET/HEADWALL	BC HYDRO	WATERMAIN	WATER SERVICE	WATER SERVICE	WATER SERVICE	WATER SERVICE	WATER SERVICE	WATER SERVICE	DESIGNED BY: CP	APPROVED BY: CP	VI. SCALE: N/A	CITY OF DUNCAN	
		WATERMAIN	WATERMAIN CAP	WATERMAIN LINE BREAK	STORM MAIN	STORM CLEANOUT	STORM SERVICE	STORM SERVICE	CATCH BASIN	WATERMAIN BLOW OFF	WATER SERVICE	WATER VALVE	WATERMAIN REDUCER	WATERMAIN COUPLER	STORM SERVICE	INLET/OUTLET/HEADWALL	BC HYDRO	WATERMAIN	WATER SERVICE	WATER SERVICE	WATER SERVICE	WATER SERVICE	WATER SERVICE	WATER SERVICE	DESIGNED BY: CP	APPROVED BY: CP	VI. SCALE: N/A	CITY OF DUNCAN	
		WATERMAIN	WATERMAIN CAP	WATERMAIN LINE BREAK	STORM MAIN	STORM CLEANOUT	STORM SERVICE	STORM SERVICE	CATCH BASIN	WATERMAIN BLOW OFF	WATER SERVICE	WATER VALVE	WATERMAIN REDUCER	WATERMAIN COUPLER	STORM SERVICE	INLET/OUTLET/HEADWALL	BC HYDRO	WATERMAIN	WATER SERVICE	WATER SERVICE	WATER SERVICE	WATER SERVICE	WATER SERVICE	WATER SERVICE	DESIGNED BY: CP	APPROVED BY: CP	VI. SCALE: N/A	CITY OF DUNCAN	
		WATERMAIN	WATERMAIN CAP	WATERMAIN LINE BREAK	STORM MAIN	STORM CLEANOUT	STORM SERVICE	STORM SERVICE	CATCH BASIN	WATERMAIN BLOW OFF	WATER SERVICE	WATER VALVE	WATERMAIN REDUCER	WATERMAIN COUPLER	STORM SERVICE	INLET/OUTLET/HEADWALL	BC HYDRO	WATERMAIN	WATER SERVICE	WATER SERVICE	WATER SERVICE	WATER SERVICE	WATER SERVICE	WATER SERVICE	DESIGNED BY: CP	APPROVED BY: CP	VI. SCALE: N/A	CITY OF DUNCAN	
		WATERMAIN	WATERMAIN CAP	WATERMAIN LINE BREAK	STORM MAIN	STORM CLEANOUT	STORM SERVICE	STORM SERVICE	CATCH BASIN	WATERMAIN BLOW OFF	WATER SERVICE	WATER VALVE	WATERMAIN REDUCER	WATERMAIN COUPLER	STORM SERVICE	INLET/OUTLET/HEADWALL	BC HYDRO	WATERMAIN	WATER SERVICE	WATER SERVICE	WATER SERVICE	WATER SERVICE	WATER SERVICE	WATER SERVICE	DESIGNED BY: CP	APPROVED BY: CP	VI. SCALE: N/A	CITY OF DUNCAN	
		WATERMAIN	WATERMAIN CAP	WATERMAIN LINE BREAK	STORM MAIN	STORM CLEANOUT	STORM SERVICE	STORM SERVICE	CATCH BASIN	WATERMAIN BLOW OFF	WATER SERVICE	WATER VALVE	WATERMAIN REDUCER	WATERMAIN COUPLER	STORM SERVICE	INLET/OUTLET/HEADWALL	BC HYDRO	WATERMAIN	WATER SERVICE	WATER SERVICE	WATER SERVICE	WATER SERVICE	WATER SERVICE	WATER SERVICE	DESIGNED BY: CP	APPROVED BY: CP	VI. SCALE: N/A	CITY OF DUNCAN	
		WATERMAIN	WATERMAIN CAP	WATERMAIN LINE BREAK	STORM MAIN	STORM CLEANOUT	STORM SERVICE	STORM SERVICE	CATCH BASIN	WATERMAIN BLOW OFF	WATER SERVICE	WATER VALVE	WATERMAIN REDUCER	WATERMAIN COUPLER	STORM SERVICE	INLET/OUTLET/HEADWALL	BC HYDRO	WATERMAIN	WATER SERVICE	WATER SERVICE	WATER SERVICE	WATER SERVICE	WATER SERVICE	WATER SERVICE	DESIGNED BY: CP	APPROVED BY: CP	VI. SCALE: N/A	CITY OF DUNCAN	
		WATERMAIN	WATERMAIN CAP	WATERMAIN LINE BREAK	STORM MAIN	STORM CLEANOUT	STORM SERVICE	STORM SERVICE	CATCH BASIN	WATERMAIN BLOW OFF	WATER SERVICE	WATER VALVE	WATERMAIN REDUCER	WATERMAIN COUPLER	STORM SERVICE	INLET/OUTLET/HEADWALL	BC HYDRO	WATERMAIN	WATER SERVICE	WATER SERVICE	WATER SERVICE	WATER SERVICE	WATER SERVICE	WATER SERVICE	DESIGNED BY: CP	APPROVED BY: CP	VI. SCALE: N/A	CITY OF DUNCAN	
		WATERMAIN	WATERMAIN CAP	WATERMAIN LINE BREAK	STORM MAIN	STORM CLEANOUT	STORM SERVICE	STORM SERVICE	CATCH BASIN	WATERMAIN BLOW OFF	WATER SERVICE	WATER VALVE	WATERMAIN REDUCER	WATERMAIN COUPLER	STORM SERVICE	INLET/OUTLET/HEADWALL	BC HYDRO	WATERMAIN	WATER SERVICE	WATER SERVICE	WATER SERVICE	WATER SERVICE	WATER SERVICE	WATER SERVICE	DESIGNED BY: CP	APPROVED BY: CP	VI. SCALE: N/A	CITY OF DUNCAN	
		WATERMAIN	WATERMAIN CAP	WATERMAIN LINE BREAK	STORM MAIN	STORM CLEANOUT	STORM SERVICE	STORM SERVICE	CATCH BASIN	WATERMAIN BLOW OFF	WATER SERVICE	WATER VALVE	WATERMAIN REDUCER	WATERMAIN COUPLER	STORM SERVICE	INLET/OUTLET/HEADWALL	BC HYDRO	WATERMAIN	WATER SERVICE	WATER SERVICE	WATER SERVICE	WATER SERVICE	WATER SERVICE	WATER SERVICE	DESIGNED BY: CP	APPROVED BY: CP	VI. SCALE: N/A	CITY OF DUNCAN	
		WATERMAIN	WATERMAIN CAP	WATERMAIN LINE BREAK	STORM MAIN	STORM CLEANOUT	STORM SERVICE	STORM SERVICE	CATCH BASIN	WATERMAIN BLOW OFF	WATER SERVICE	WATER VALVE	WATERMAIN REDUCER	WATERMAIN COUPLER	STORM SERVICE	INLET/OUTLET/HEADWALL	BC HYDRO	WATERMAIN	WATER SERVICE	WATER SERVICE	WATER SERVICE	WATER SERVICE	WATER SERVICE	WATER SERVICE	DESIGNED BY: CP	APPROVED BY: CP	VI. SCALE: N/A	CITY OF DUNCAN	
		WATERMAIN	WATERMAIN CAP	WATERMAIN LINE BREAK	STORM MAIN	STORM CLEANOUT	STORM SERVICE	STORM SERVICE	CATCH BASIN	WATERMAIN BLOW OFF	WATER SERVICE	WATER VALVE	WATERMAIN REDUCER	WATERMAIN COUPLER	STORM SERVICE	INLET/OUTLET/HEADWALL	BC HYDRO	WATERMAIN	WATER SERVICE	WATER SERVICE	WATER SERVICE	WATER SERVICE	WATER SERVICE	WATER SERVICE	DESIGNED BY: CP	APPROVED BY: CP	VI. SCALE: N/A	CITY OF DUNCAN	
		WATERMAIN	WATERMAIN CAP	WATERMAIN LINE BREAK	STORM MAIN	STORM CLEANOUT	STORM SERVICE	STORM SERVICE	CATCH BASIN	WATERMAIN BLOW OFF	WATER SERVICE	WATER VALVE	WATERMAIN REDUCER	WATERMAIN COUPLER	STORM SERVICE	INLET/OUTLET/HEADWALL	BC HYDRO	WATERMAIN	WATER SERVICE	WATER SERVICE	WATER SERVICE	WATER SERVICE	WATER SERVICE	WATER SERVICE	DESIGNED BY: CP	APPROVED BY: CP	VI. SCALE: N/A	CITY OF DUNCAN	
		WATERMAIN	WATERMAIN CAP	WATERMAIN LINE BREAK	STORM MAIN	STORM CLEANOUT	STORM SERVICE	STORM SERVICE	CATCH BASIN	WATERMAIN BLOW OFF	WATER SERVICE	WATER VALVE	WATERMAIN REDUCER	WATERMAIN COUPLER	STORM SERVICE	INLET/OUTLET/HEADWALL	BC HYDRO	WATERMAIN	WATER SERVICE	WATER SERVICE	WATER SERVICE	WATER SERVICE	WATER SERVICE	WATER SERVICE	DESIGNED BY: CP	APPROVED BY: CP	VI. SCALE: N/A	CITY OF DUNCAN	
		WATERMAIN	WATERMAIN CAP	WATERMAIN LINE BREAK	STORM MAIN	STORM CLEANOUT	STORM SERVICE	STORM SERVICE	CATCH BASIN	WATERMAIN BLOW OFF	WATER SERVICE	WATER VALVE	WATERMAIN REDUCER	WATERMAIN COUPLER	STORM SERVICE	INLET/OUTLET/HEADWALL	BC HYDRO	WATERMAIN	WATER SERVICE	WATER SERVICE	WATER SERVICE	WATER SERVICE	WATER SERVICE	WATER SERVICE	DESIGNED BY: CP	APPROVED BY: CP	VI. SCALE: N/A	CITY OF DUNCAN	
		WATERMAIN	WATERMAIN CAP	WATERMAIN LINE BREAK	STORM MAIN	STORM CLEANOUT	STORM SERVICE	STORM SERVICE	CATCH BASIN	WATERMAIN BLOW OFF	WATER SERVICE	WATER VALVE	WATERMAIN REDUCER	WATERMAIN COUPLER	STORM SERVICE	INLET/OUTLET/HEADWALL	BC HYDRO	WATERMAIN	WATER SERVICE	WATER SERVICE	WATER SERVICE	WATER SERVICE	WATER SERVICE	WATER SERVICE	DESIGNED BY: CP	APPROVED BY: CP	VI. SCALE: N/A	CITY OF DUNCAN	
		WATERMAIN	WATERMAIN CAP	WATERMAIN LINE BREAK	STORM MAIN	STORM CLEANOUT	STORM SERVICE	STORM SERVICE	CATCH BASIN	WATERMAIN BLOW OFF	WATER SERVICE	WATER VALVE	WATERMAIN REDUCER	WATERMAIN COUPLER	STORM SERVICE	INLET/OUTLET/HEADWALL	BC HYDRO	WATERMAIN	WATER SERVICE	WATER SERVICE	WATER SERVICE	WATER SERVICE	WATER SERVICE	WATER SERVICE	DESIGNED BY: CP	APPROVED BY: CP	VI. SCALE: N/A	CITY OF DUNCAN	
		WATERMAIN	WATERMAIN CAP	WATERMAIN LINE BREAK	STORM MAIN	STORM CLEANOUT	STORM SERVICE	STORM SERVICE	CATCH BASIN	WATERMAIN BLOW OFF	WATER SERVICE	WATER VALVE	WATERMAIN REDUCER	WATERMAIN COUPLER	STORM SERVICE	INLET/OUTLET/HEADWALL	BC HYDRO	WATERMAIN	WATER SERVICE	WATER SERVICE	WATER SERVICE	WATER SERVICE	WATER SERVICE	WATER SERVICE	DESIGNED BY: CP	APPROVED BY: CP	VI. SCALE: N/A	CITY OF DUNCAN	
		WATERMAIN	WATERMAIN CAP	WATERMAIN LINE BREAK	STORM MAIN	STORM CLEANOUT	STORM SERVICE	STORM SERVICE	CATCH BASIN	WATERMAIN BLOW OFF	WATER SERVICE	WATER VALVE	WATERMAIN REDUCER	WATERMAIN COUPLER	STORM SERVICE	INLET/OUTLET/HEADWALL	BC HYDRO	WATERMAIN	WATER SERVICE	WATER SERVICE	WATER SERVICE	WATER SERVICE	WATER SERVICE	WATER SERVICE	DESIGNED BY: CP	APPROVED BY: CP	VI. SCALE: N/A	CITY OF DUNCAN	
		WATERMAIN	WATERMAIN CAP	WATERMAIN LINE BREAK	STORM MAIN	STORM CLEANOUT	STORM SERVICE	STORM SERVICE	CATCH BASIN	WATERMAIN BLOW OFF	WATER SERVICE	WATER VALVE	WATERMAIN REDUCER	WATERMAIN COUPLER	STORM SERVICE	INLET/OUTLET/HEADWALL	BC HYDRO	WATERMAIN	WATER SERVICE	WATER SERVICE	WATER SERVICE	WATER SERVICE	WATER SERVICE	WATER SERVICE	DESIGNED BY: CP	APPROVED BY: CP	VI. SCALE: N/A	CITY OF DUNCAN	
		WATERMAIN	WATERMAIN CAP	WATERMAIN LINE BREAK	STORM MAIN	STORM CLEANOUT	STORM SERVICE	STORM SERVICE	CATCH BASIN	WATERMAIN BLOW OFF	WATER SERVICE	WATER VALVE	WATERMAIN REDUCER	WATERMAIN COUPLER	STORM SERVICE	INLET/OUTLET/HEADWALL	BC HYDRO	WATERMAIN	WATER SERVICE	WATER SERVICE	WATER SERVICE	WATER SERVICE	WATER SERVICE	WATER SERVICE	DESIGNED BY: CP	APPROVED BY: CP	VI. SCALE: N/A	CITY OF DUNCAN	
		WATERMAIN	WATERMAIN CAP	WATERMAIN LINE BREAK	STORM MAIN	STORM CLEANOUT	STORM SERVICE	STORM SERVICE	CATCH BASIN	WATERMAIN BLOW OFF	WATER SERVICE	WATER VALVE	WATERMAIN REDUCER	WATERMAIN COUPLER	STORM SERVICE	INLET/OUTLET/HEADWALL	BC HYDRO	WATERMAIN	WATER SERVICE	WATER SERVICE	WATER SERVICE	WATER SERVICE	WATER SERVICE	WATER SERVICE	DESIGNED BY: CP	APPROVED BY: CP	VI. SCALE: N/A	CITY OF DUNCAN	
		WATERMAIN	WATERMAIN CAP	WATERMAIN LINE BREAK	STORM MAIN	STORM CLEANOUT	STORM SERVICE	STORM SERVICE	CATCH BASIN	WATERMAIN BLOW OFF	WATER SERVICE	WATER VALVE	WATERMAIN REDUCER	WATERMAIN COUPLER	STORM SERVICE	INLET/OUTLET/HEADWALL	BC HYDRO	WATERMAIN	WATER SERVICE	WATER SERVICE	WATER SERVICE	WATER SERVICE	WATER SERVICE	WATER SERVICE	DESIGNED BY: CP	APPROVED BY: CP	VI. SCALE: N/A	CITY OF DUNCAN	
		WATERMAIN	WATERMAIN CAP	WATERMAIN LINE BREAK	STORM MAIN	STORM CLEANOUT	STORM SERVICE	STORM SERVICE	CATCH BASIN	WATERMAIN BLOW OFF	WATER SERVICE	WATER VALVE	WATERMAIN REDUCER	WATERMAIN COUPLER	STORM SERVICE	INLET/OUTLET/HEADWALL	BC HYDRO	WATERMAIN	WATER SERVICE	WATER SERVICE	WATER SERVICE	WATER SERVICE	WATER SERVICE	WATER SERVICE	DESIGNED BY: CP	APPROVED BY: CP	VI.		



PROPOSED		EXISTING	
WATERMAIN	WATERMAIN BLOW OFF	WATERMAIN	WATERMAIN BLOW OFF
WATER METER	WATERMAIN CAP	WATER SERVICE METER	WATER SERVICE METER
WATER VALVE	WATERMAIN LINE BREAK	WATER SERVICE	WATER SERVICE
WATERMAIN REDUCER	STORM MAIN	WATER VALVE	WATER VALVE
WATERMAIN COUPLER	STORM CLEANOUT	WATERMAIN REDUCER	WATERMAIN REDUCER
FIRE HYDRANT	STORM SERVICE	WATERMAIN COUPLER	WATERMAIN COUPLER
ARV	CATCH BASIN	GAS	GAS
STORM MANHOLE	STORM CAP	STORM SERVICE	STORM SERVICE
SANITARY LINE BREAK	SANITARY MANHOLE	STORM MAIN	STORM MAIN
SANITARY MANHOLE	SANITARY SERVICE	STORM SERVICE	STORM SERVICE
SANITARY SERVICE	CONCRETE	INLET/OUTLET/HEADWALL	INLET/OUTLET/HEADWALL
CONCRETE	GUTTER LINE	INLET/OUTLET/HEADWALL	INLET/OUTLET/HEADWALL
GUTTER LINE	ELEVATION	INLET/OUTLET/HEADWALL	INLET/OUTLET/HEADWALL
ELEVATION	GRADE	INLET/OUTLET/HEADWALL	INLET/OUTLET/HEADWALL
GRADE		INLET/OUTLET/HEADWALL	INLET/OUTLET/HEADWALL

ARV	CATCH BASIN	LINE BREAK
FIRE HYDRANT	SANITARY MAIN	FENCE
WATERMAIN BLOW OFF	SANITARY SERVICE	UTILITY POLE AND ANCHOR
WATER SERVICE	MANHOLE	SIGN
WATER VALVE	CLEANOUT	GUTTER LINE
WATERMAIN REDUCER	CAP	WATER COURSE
WATERMAIN COUPLER	TELUS	SCALE OF LEDGEND: NTS
GAS		

DESIGNED BY: BM	APPROVED BY: BM	SCALE		
DRAWN BY: CF	DESIGN START DATE: 11/2022	H2. SCALE: 1:200		
CHECKED BY: CMD	CURRENT DATE: DEC 04 2023	V1. SCALE: N/A		
REV#	DATE	DESCRIPTION	REVISIONS	BY
R4	2023/10	DIRT MOUNDS REMOVED + NEW SIDEWALK		CF
R3	2023/08	DIRT MOUNDS		CF
R2	2023/07	WATER FOUNTAIN AND BENCHES		CF
R1	2022/12	WOODCHIPS AND FRENCH DRAIN		CF
R0	2022/11	RUBBER MAT SLOPE DRAINAGE		CF

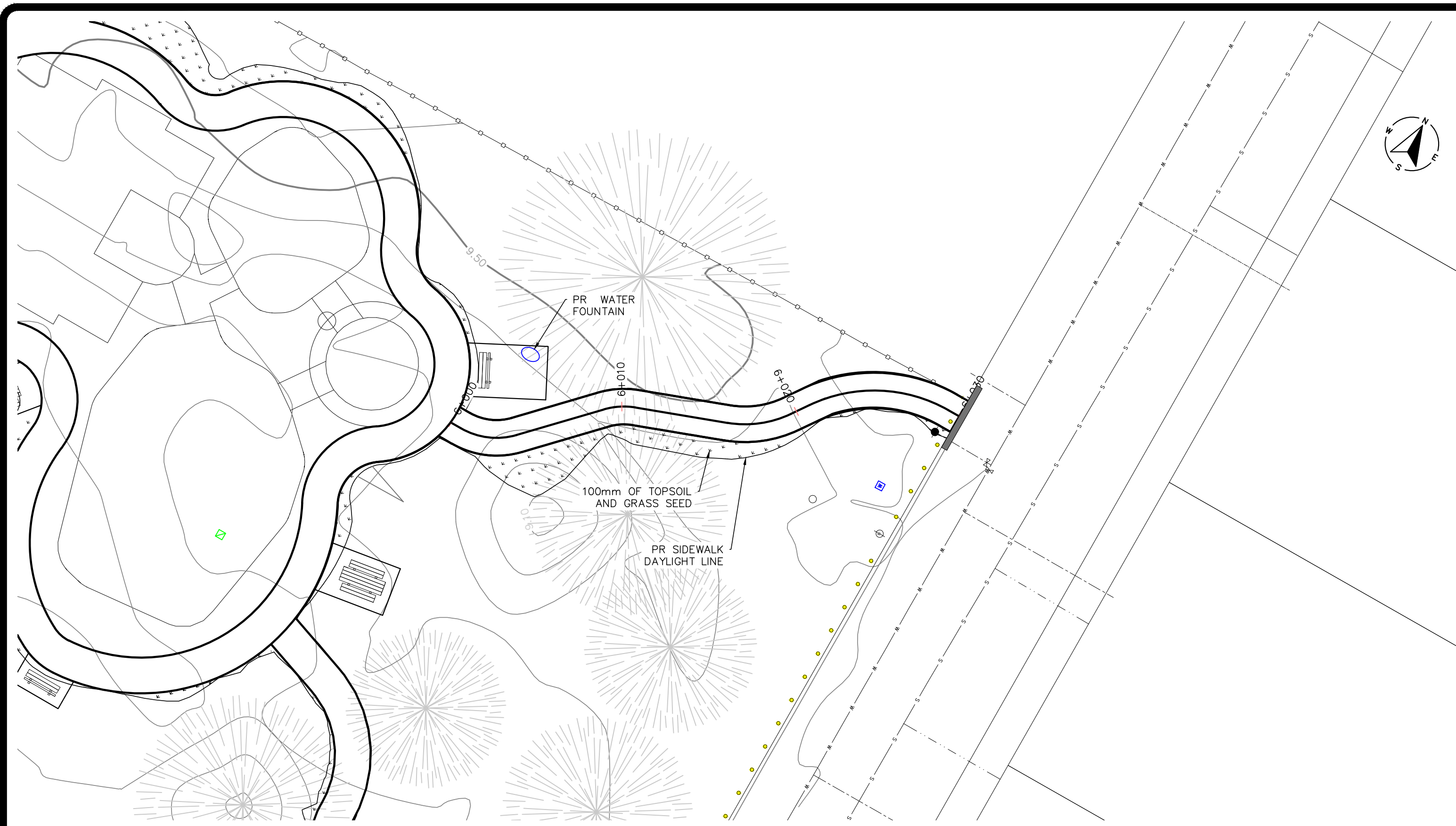
CITY OF DUNCAN	200 CRAIG STREET DUNCAN, BC V8L 3Y2
----------------	-------------------------------------------

CITY OF DUNCAN	McADAM PARK PLAYGROUND
SITE PLAN	

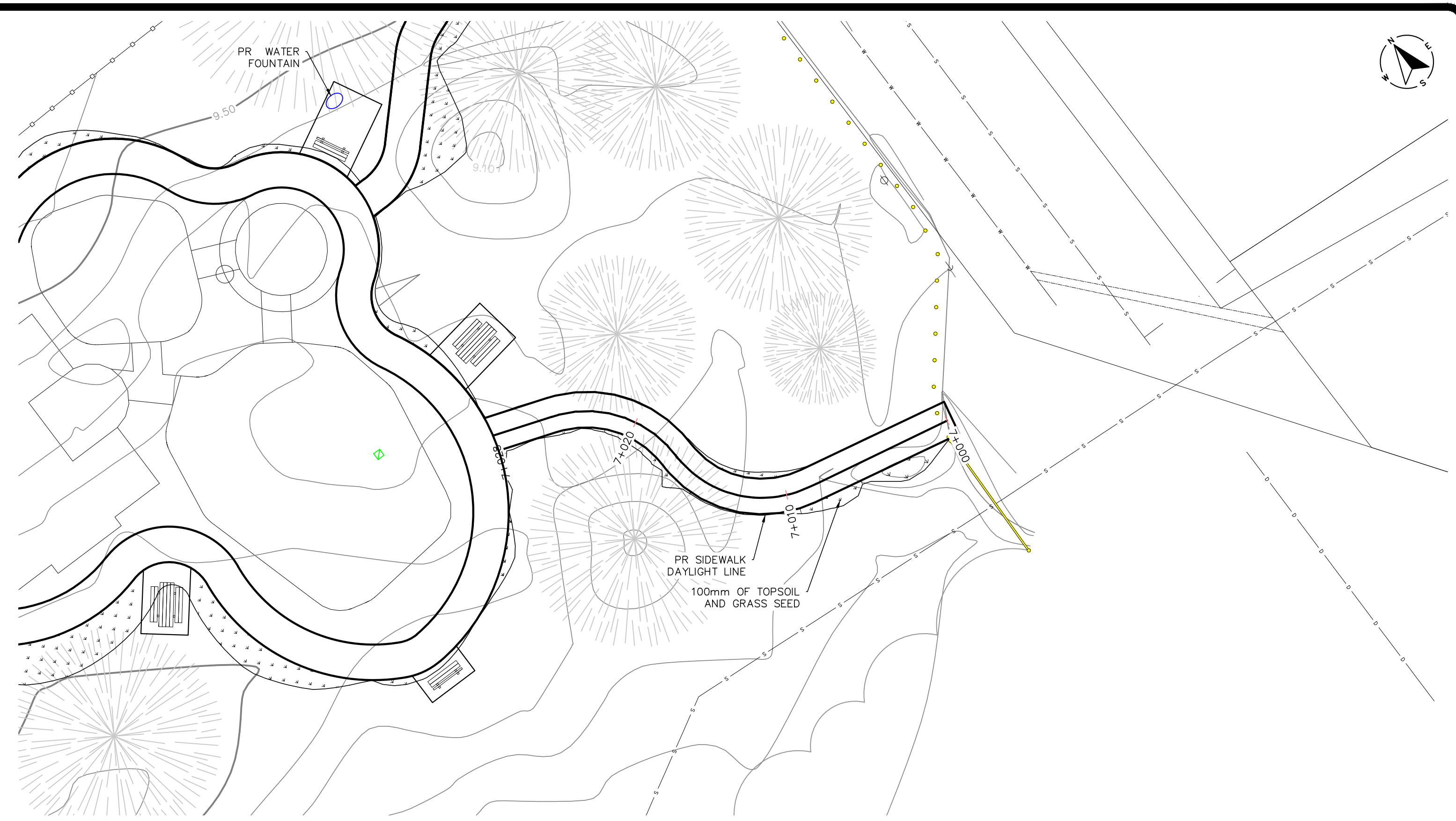
FILE NUMBER:	2022.027
SHEET:	2 OF 13
REVISION NO.	R4
DRAWING:	C02
DWG FILE:	2022.027 - R4

C:\Users\jduffy\OneDrive - City of Duncan\2022\2022.027 - McAdam Park Playground - Site Plan - R4.dwg - 11/11/2023 10:00:00 AM

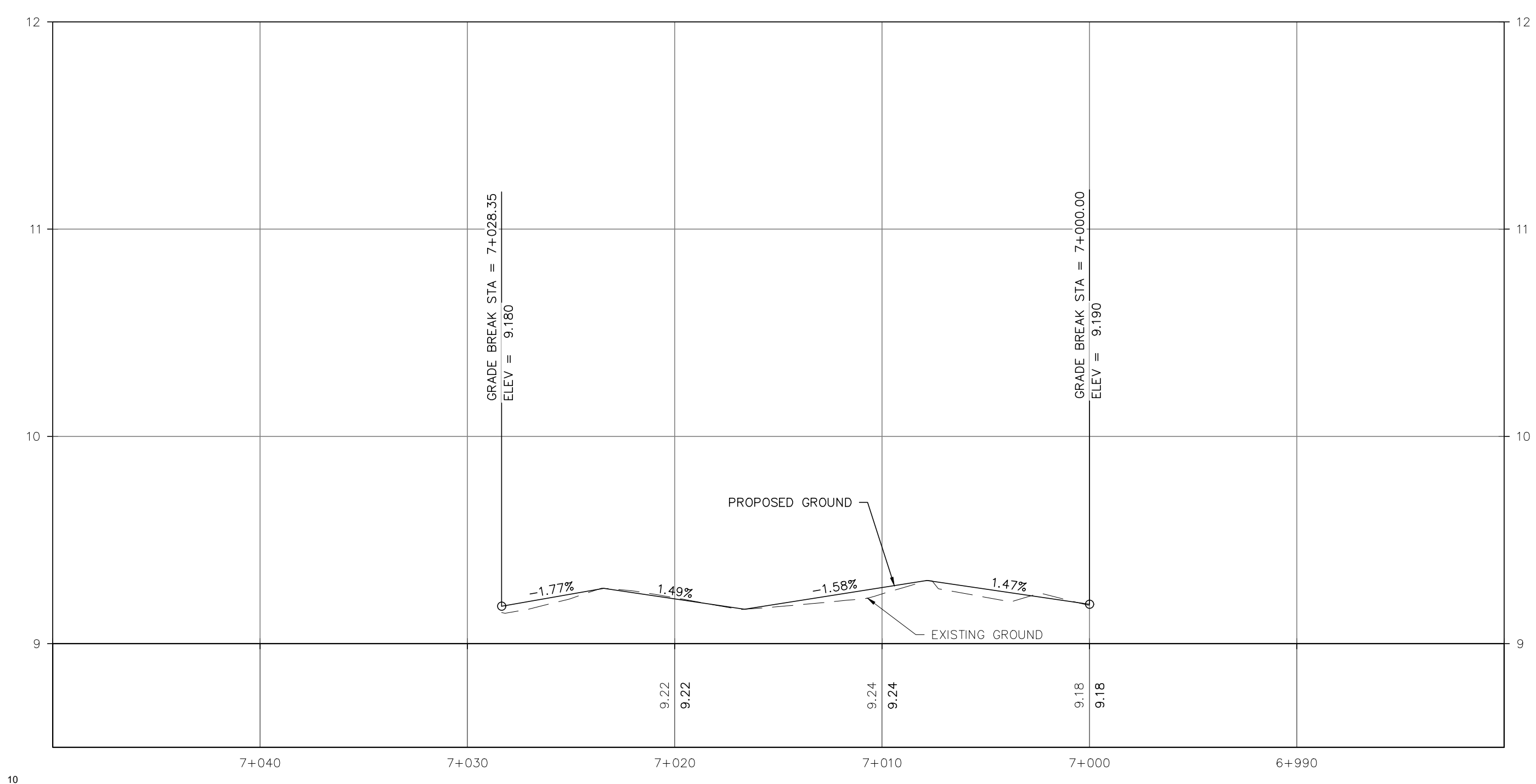
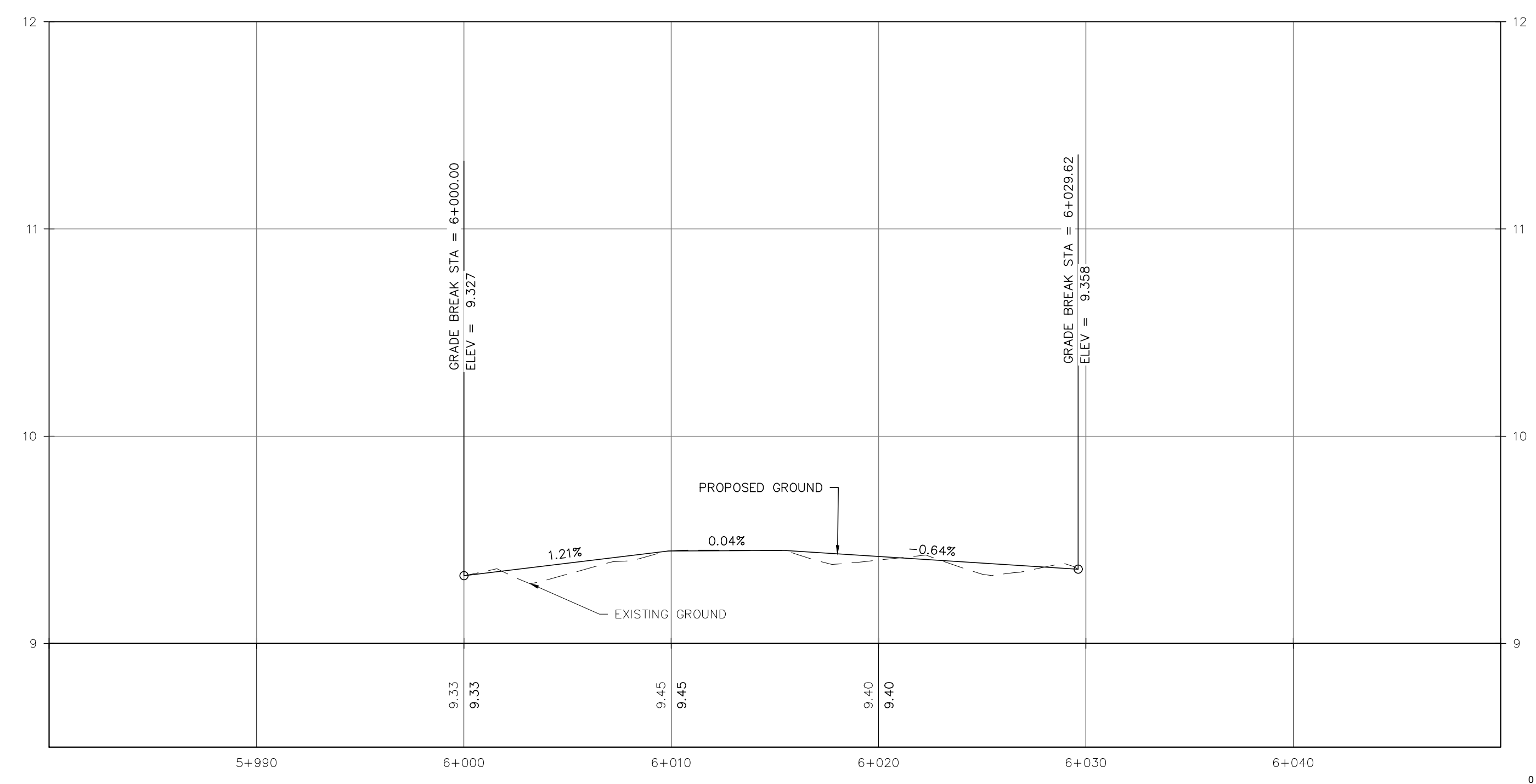




NORTH PLAYGROUND SIDEWALK PROFILE



SOUTH PLAYGROUND SIDEWALK PROFILE



LEGEND	PROPOSED				EXISTING				
	Symbol	Description	Symbol	Description	Symbol	Description	Symbol	Description	
PROPOSED	—	WATERMAIN	—	WATERMAIN BLOW OFF	—	WATERMAIN	—	WATERMAIN BLOW OFF	
	□	WATER SERVICE	□	WATERMAIN CAP	□	WATER SERVICE METER	□	WATER SERVICE METER	
	—	WATER VALVE	—	WATERMAIN LINE BREAK	—	WATER SERVICE VALVE	—	WATER SERVICE VALVE	
	—	WATERMAIN REDUCER	—	STORM MAIN	—	WATERMAIN REDUCER	—	WATERMAIN REDUCER	
	—	WATERMAIN COUPLER	—	STORM CLEANOUT	—	WATERMAIN COUPLER	—	WATERMAIN COUPLER	
	—	FIRE HYDRANT	—	STORM SERVICE	—	FIRE HYDRANT	—	FIRE HYDRANT	
	—	ARV	—	CATCH BASIN	—	ARV	—	ARV	
	EXISTING	—	WATERMAIN	—	WATERMAIN	—	WATERMAIN	—	WATERMAIN
		—	WATER SERVICE	—	WATER SERVICE	—	WATER SERVICE	—	WATER SERVICE
		—	WATER VALVE	—	WATERMAIN BLOW OFF	—	WATER VALVE	—	WATER VALVE
—		WATERMAIN REDUCER	—	STORM MAIN	—	WATERMAIN REDUCER	—	WATERMAIN REDUCER	
—		WATERMAIN COUPLER	—	STORM CLEANOUT	—	WATERMAIN COUPLER	—	WATERMAIN COUPLER	
—		FIRE HYDRANT	—	STORM SERVICE	—	FIRE HYDRANT	—	FIRE HYDRANT	
—		ARV	—	CATCH BASIN	—	ARV	—	ARV	
—		WATERMAIN	—	WATERMAIN	—	WATERMAIN	—	WATERMAIN	
—		WATER SERVICE	—	WATER SERVICE	—	WATER SERVICE	—	WATER SERVICE	
—		WATER VALVE	—	WATERMAIN BLOW OFF	—	WATER VALVE	—	WATER VALVE	

DESIGNED BY: BM	APPROVED BY: BM	SCALE
DRAWN BY: CP	DESIGN START DATE: 11/2022	H2. SCALE: 1:200
CHECKED BY: CMD	CURRENT DATE: DEC 04 2023	V1. SCALE: 1:20

REV#	DATE	DESCRIPTION	BY
R4	2023/10	DIRT MOUNDS REMOVED + NEW SIDEWALK	CP
R3	2023/08	DIRT MOUNDS	CP
R2	2023/07	WATER FOUNTAIN AND BENCHES	CP
R1	2022/12	WOODCHIPS AND FRENCH DRAIN	CP
R0	2022/11	RUBBER MAT SLOPE DRAINAGE	CP

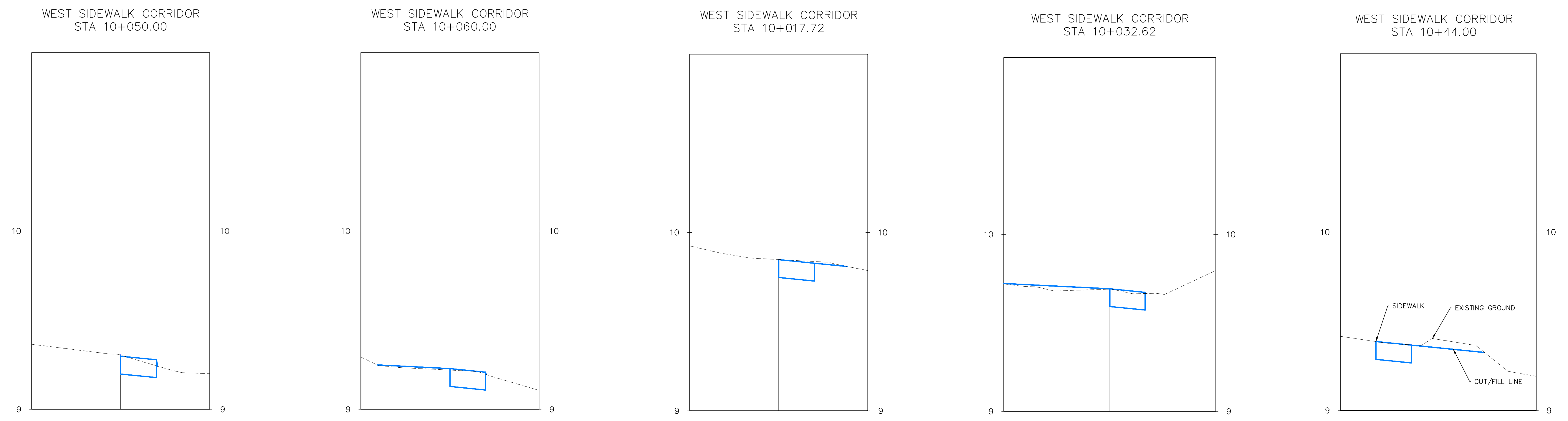
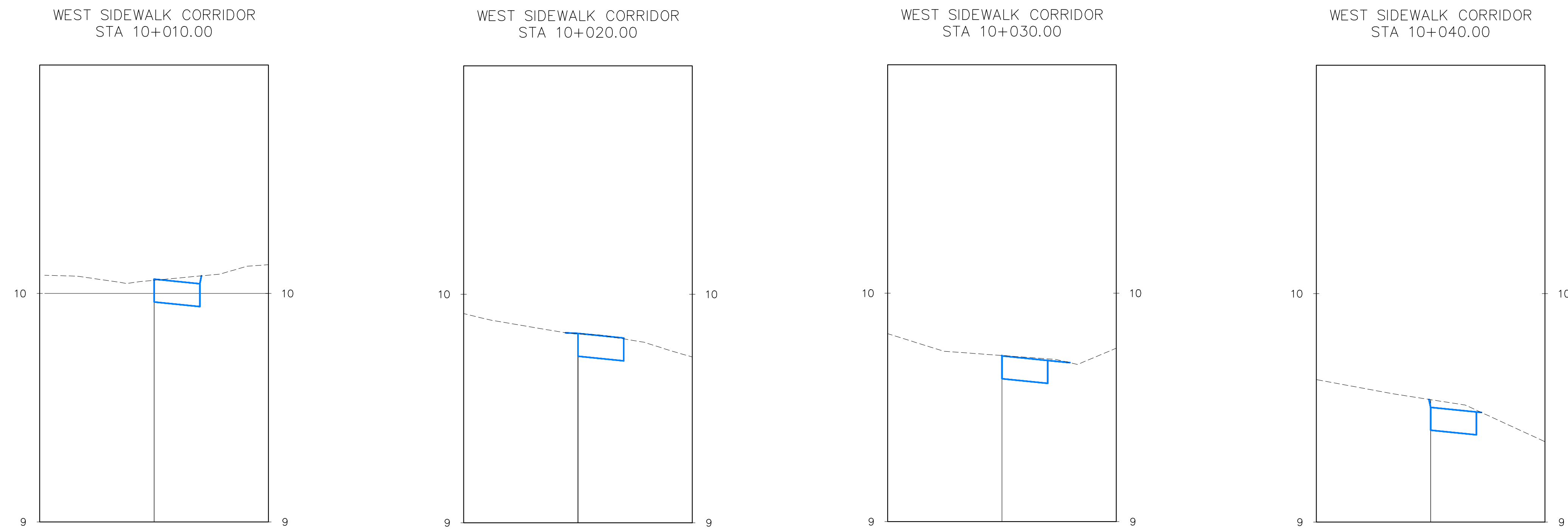
**CITY OF DUNCAN**  
 200 CRAIG STREET  
 DUNCAN, BC  
 V8L 3Y2

**CITY OF DUNCAN**  
 McADAM PARK  
 PLAYGROUND  
 NORTH AND SOUTH  
 SIDEWALK PLAN & PROFILE

FILE NUMBER:	2022.027
SHEET:	4 OF 14
REVISION NO.	R4
DRAWING:	C04
DWG FILE:	2022.027 - R4

C:\Users\jmc\OneDrive\Desktop\2022\2022.027 - McAdam Park Playground and Benches\Drawings\2022.027 - R4.dwg - 2023-10-24 10:14:15 AM





LEGEND	PROPOSED				EXISTING			
	WATERMAIN	WATERMAIN BLOW OFF	STORM MANHOLE	SANITARY LINE BREAK	WATERMAIN	ARV	CATCH BASIN	LINE BREAK
	WATER SERVICE	WATERMAIN CAP	STORM CAP	SANITARY MANHOLE	WATER SERVICE METER	FIRE HYDRANT	SANITARY MAIN	FENCE
	WATER VALVE	WATERMAIN LINE BREAK	STORM LINE BREAK	SANITARY SERVICE	WATER SERVICE	WATERMAIN BLOW OFF	SANITARY SERVICE	UTILITY POLE AND ANCHOR
	WATERMAIN REDUCER	STORM MAIN	INLET/OUTLET/HEADWALL	CONCRETE	WATER VALVE	STORM MAIN	MANHOLE	SIGN
	WATERMAIN COUPLER	STORM CLEANOUT	SANITARY MAIN	GUTTER LINE	WATERMAIN REDUCER	STORM SERVICE	CLEANOUT	GUTTER LINE
	FIRE HYDRANT	STORM SERVICE	SANITARY CLEANOUT	ELEVATION	WATERMAIN COUPLER	INLET/OUTLET/HEADWALL	CAP	WATER COURSE
	ARV	CATCH BASIN	SANITARY CAP	GRADE	GAS	BC HYDRO	TELUS	SCALE OF LEGGEND: NTS

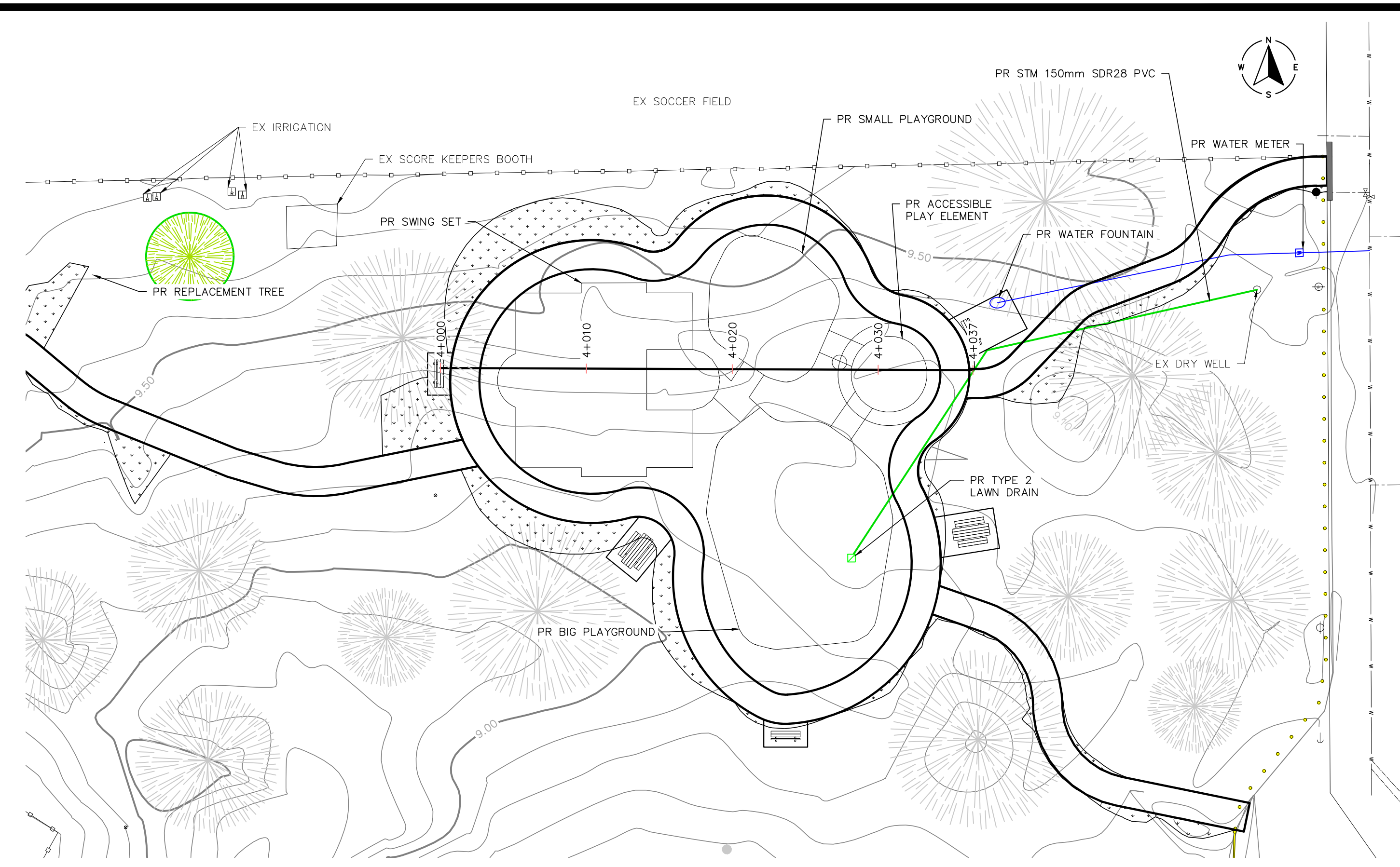
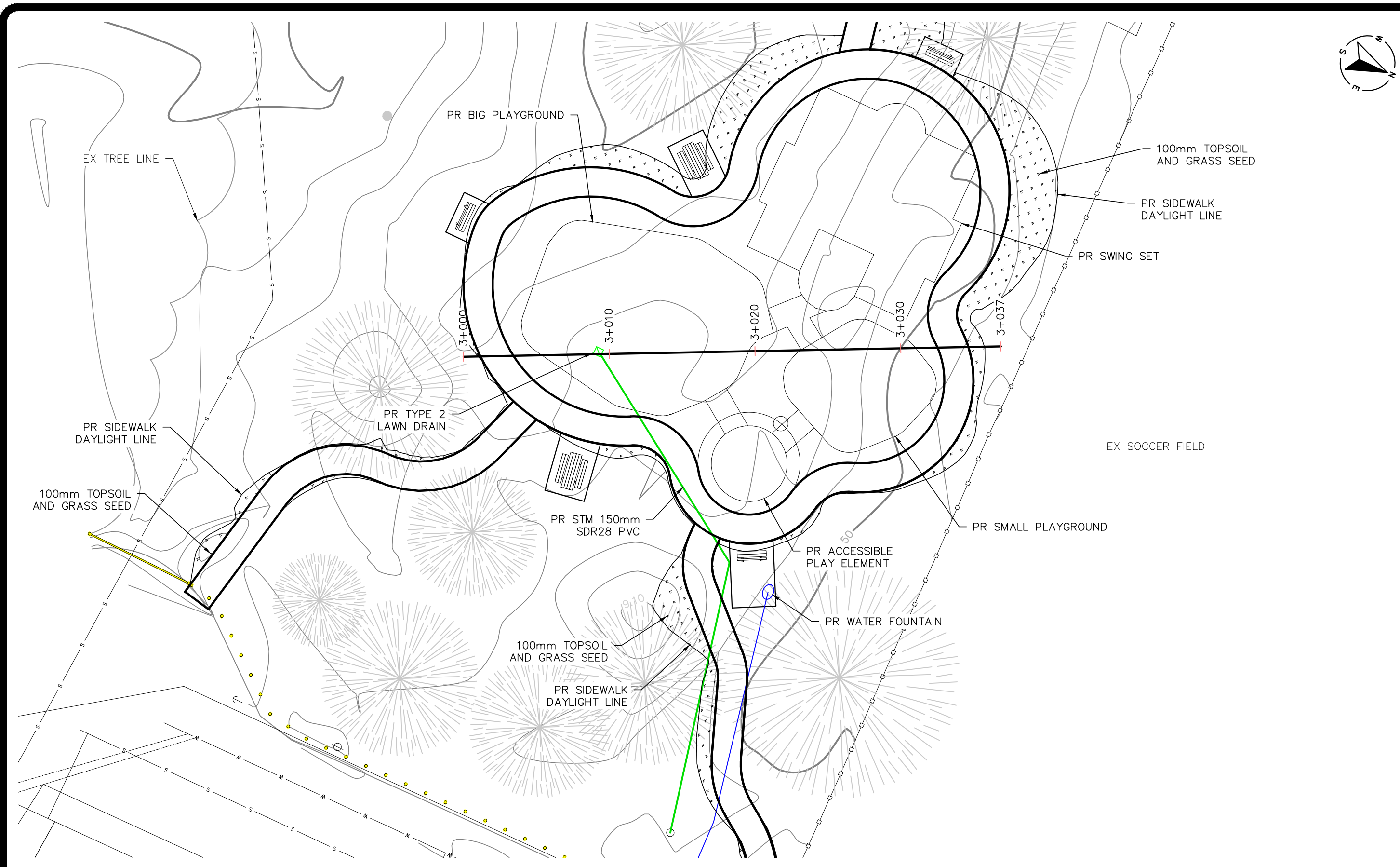
DESIGNED BY: BM	APPROVED BY: BM	SCALE
DRAWN BY: CP	DESIGN START DATE: 11/2022	H2. SCALE: AS NOTED
CHECKED BY: CMD	CURRENT DATE: DEC 04 2023	V1. SCALE: N/A

CITY OF DUNCAN	
200 CRAIG STREET DUNCAN, BC V9L 3Y2	

CITY OF DUNCAN	FILE NUMBER: 2022.027
McADAM PARK PLAYGROUND	SHEET: 6 OF 14
WEST SIDEWALK CORRIDOR CROSS SECTIONS	REVISION NO. R4
	DRAWING: C06
	DWG FILE: 2022.027 - R4

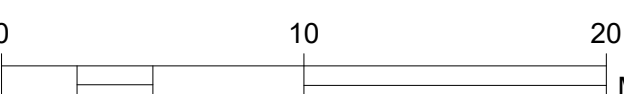
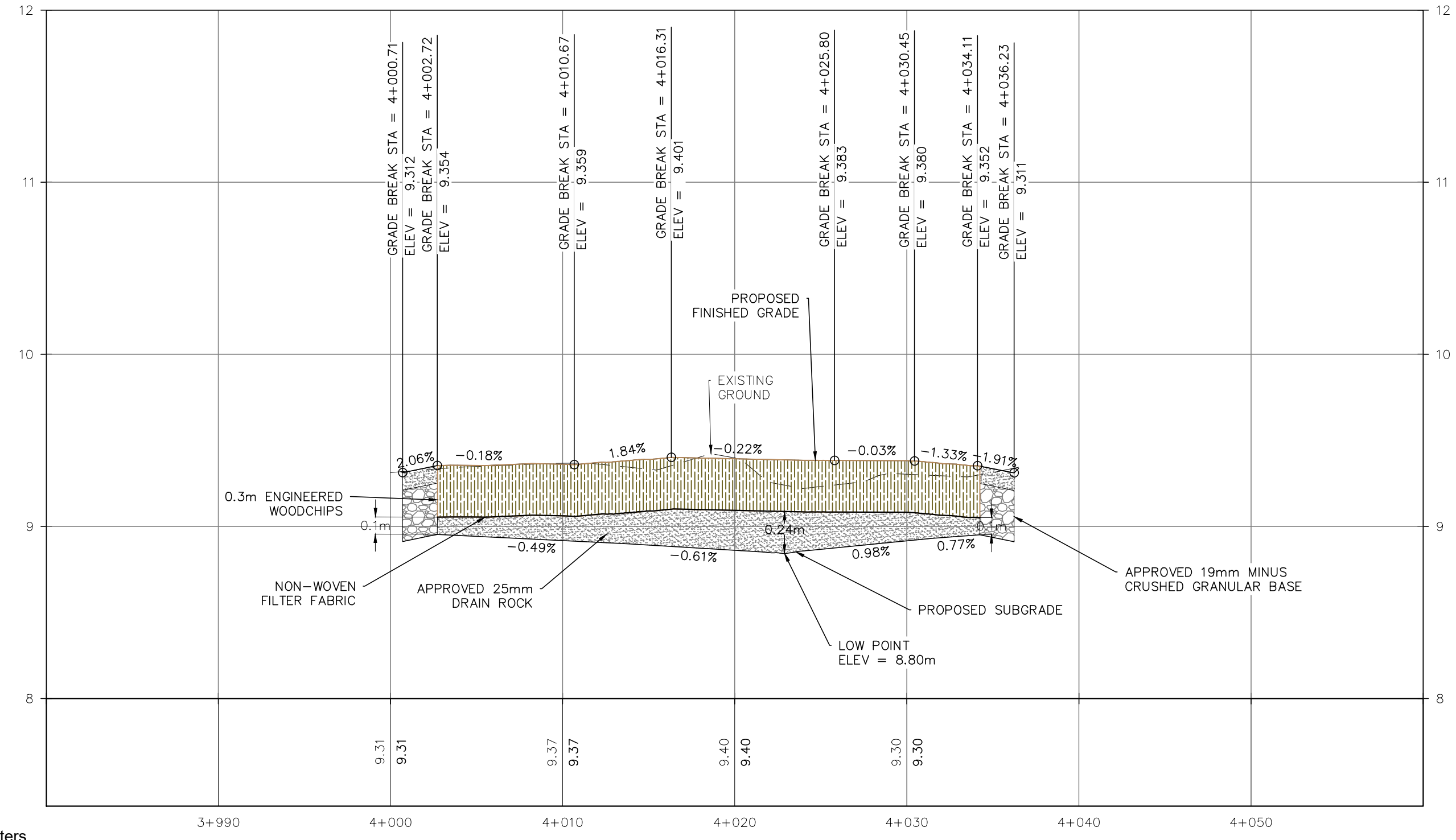
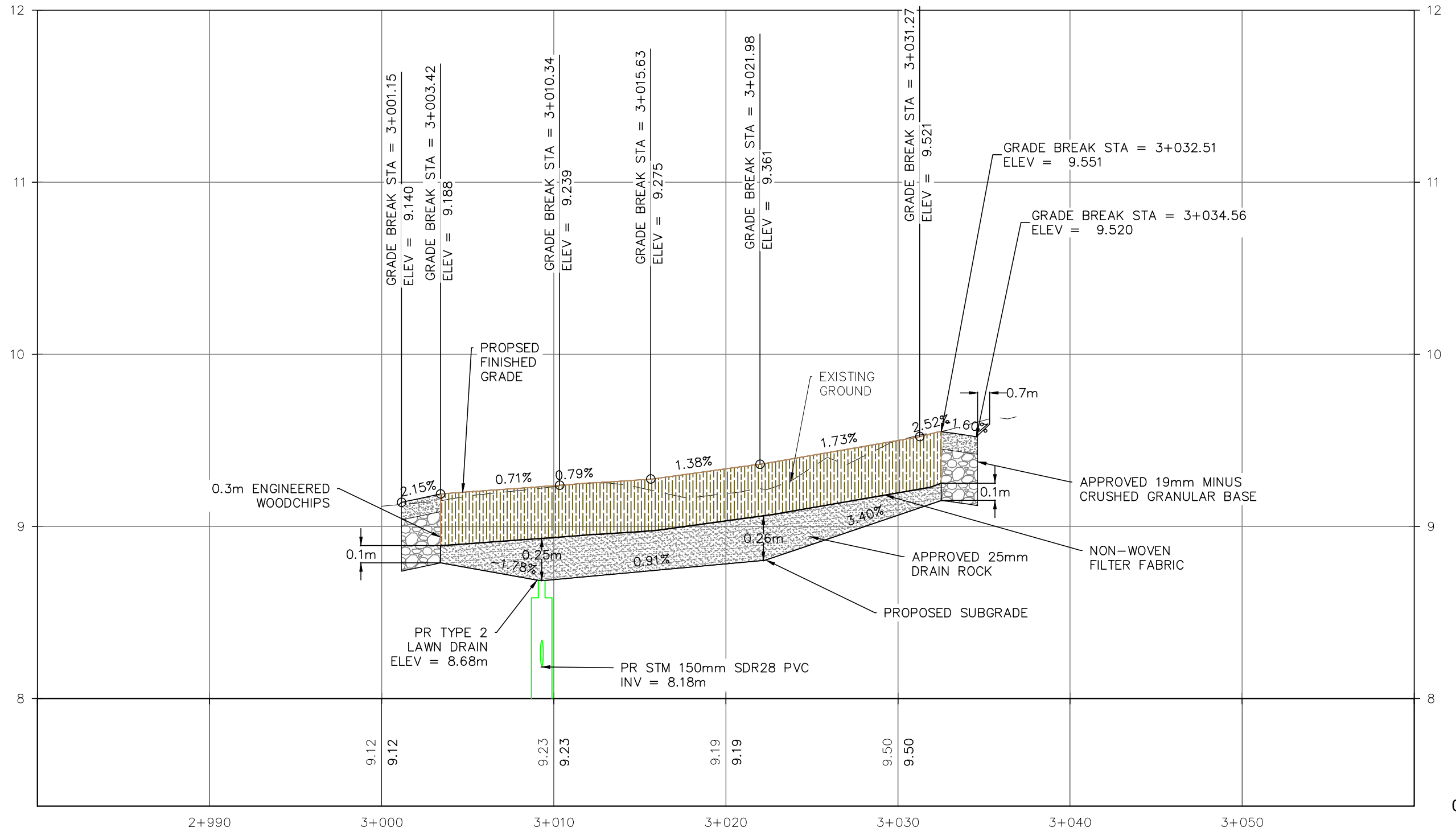
REV#	DATE	DESCRIPTION	REVISIONS	BY
R4	2023/10	DIRT MOUNDS REMOVED + NEW SIDEWALK		CP
R3	2023/08	DIRT MOUNDS		CP
R2	2023/07	WATER FOUNTAIN AND BENCHES		CP
R1	2022/12	WOODCHIPS AND FRENCH DRAIN		CP
R0	2022/11	RUBBER MAT SLOPE DRAINAGE		CP

C:\Users\j.dunlop\OneDrive\Documents\Projects\2022\2022.027 - McAdam Park Playground\Drawings\2022.027 - R4.dwg - 2023-10-23 10:23:11 AM - WEST SIDEWALK CORRIDOR CROSS SECTIONS



N-S PLAYGROUND PROFILE

E-W PLAYGROUND PROFILE

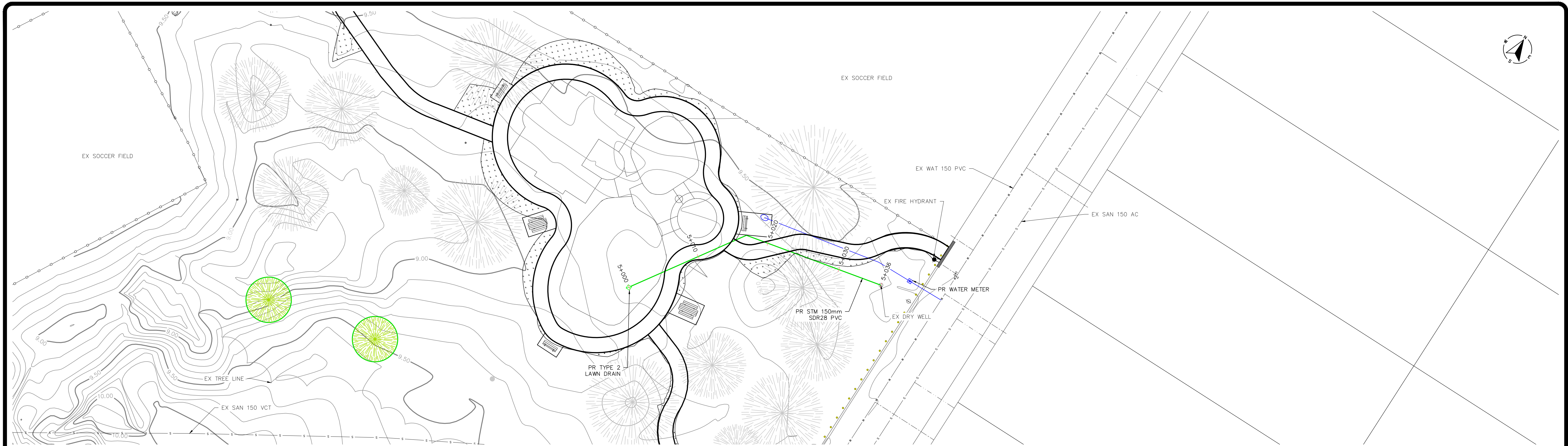


LEGEND	PROPOSED	EXISTING
WATERMAIN	—	—
WATER SERVICE	—	—
WATER VALVE	—	—
WATERMAIN REDUCER	—	—
WATERMAIN COUPLER	—	—
FIRE HYDRANT	—	—
ARV	—	—
WATERMAIN BLOW OFF	—	—
WATERMAIN CAP	—	—
WATERMAIN LINE BREAK	—	—
STORM MAIN	—	—
STORM CLEANOUT	—	—
STORM SERVICE	—	—
CATCH BASIN	—	—
STORM MANHOLE	—	—
STORM CAP	—	—
STORM LINE BREAK	—	—
INLET/OUTLET/HEADWALL	—	—
SANITARY MAIN	—	—
SANITARY CLEANOUT	—	—
SANITARY CAP	—	—
SANITARY LINE BREAK	—	—
SANITARY MANHOLE	—	—
SANITARY SERVICE	—	—
CONCRETE	—	—
GUTTER LINE	—	—
ELEVATION	—	—
GRADE	—	—
ARV	—	—
FIRE HYDRANT	—	—
SANITARY MAIN	—	—
SANITARY SERVICE	—	—
MANHOLE	—	—
CLEANOUT	—	—
CAP	—	—
TELUS	—	—
LINE BREAK	—	—
FENCE	—	—
UTILITY POLE AND ANCHOR	—	—
SIGN	—	—
GUTTER LINE	—	—
WATER COURSE	—	—
SCALE OF LEGGEND: NTS	—	—

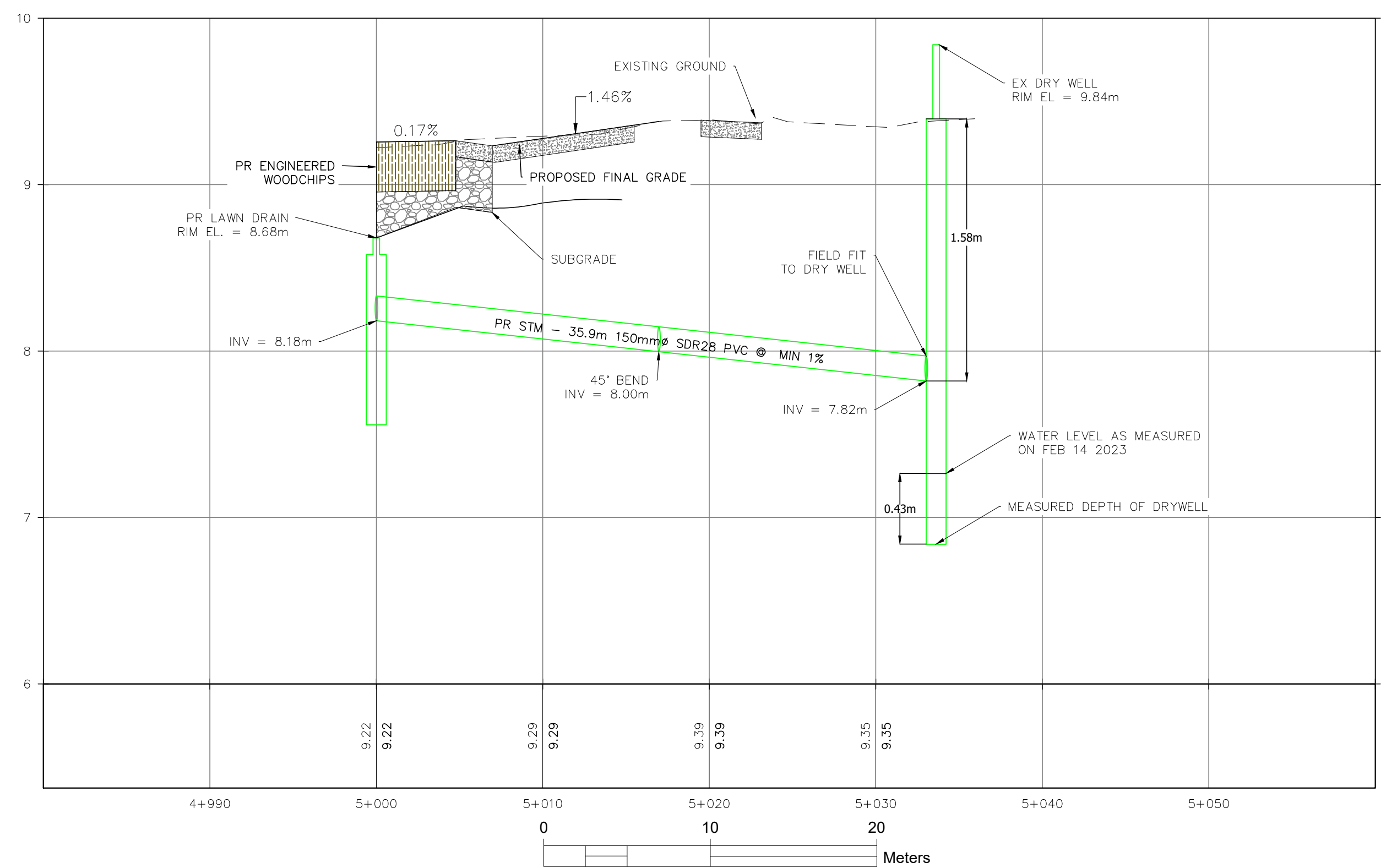
DESIGNED BY: BM	APPROVED BY: BM	SCALE
DRAWN BY: CP	DESIGN START DATE: 11/2022	H2. SCALE: 1:250
CHECKED BY: CMD	CURRENT DATE: JAN 23 2024	V1. SCALE: 1:25

REV#	DATE	DESCRIPTION	REVISIONS	BY
R4	2023/10	DIRT MOUNDS REMOVED + NEW SIDEWALK		CP
R3	2023/08	DIRT MOUNDS		CP
R2	2023/07	WATER FOUNTAIN AND BENCHES		CP
R1	2022/12	WOODCHIPS AND FRENCH DRAIN		CP
R0	2022/11	RUBBER MAT SLOPE DRAINAGE		CP

<p>CITY OF DUNCAN 200 CRAIG STREET DUNCAN, BC V9L 3Y2</p>	CITY OF DUNCAN	FILE NUMBER: 2022.027
	McADAM PARK PLAYGROUND	SHEET: 7 OF 14
PLAYGROUND PLAN & PROFILE	REVISION NO. R4	DRAWING: C07
	DWG FILE: 2022.027 - R4	



DRY WELL DRAINAGE PROFILE



LEGEND	PROPOSED	WATERMAIN	WATERMAIN BLOW OFF	WATER SERVICE	WATER VALVE	WATERMAIN REDUCER	WATERMAIN COUPLER	FIRE HYDRANT	ARV
	EXISTING	WATERMAIN	WATER SERVICE	WATER VALVE	WATERMAIN REDUCER	WATERMAIN COUPLER	FIRE HYDRANT	ARV	BC HYDRO
		STORM MANHOLE	STORM CAP	STORM LINE BREAK	INLET/OUTLET/HEADWALL	STORM MAIN	STORM CLEANOUT	STORM SERVICE	CATCH BASIN
		SANITARY MANHOLE	SANITARY SERVICE	CONCRETE	SANITARY MAIN	SANITARY CLEANOUT	ELEVATION	GRADE	TELUS
		SANITARY LINE BREAK	SANITARY MANHOLE	SANITARY SERVICE	CONCRETE	GUTTER LINE	ELEVATION	GRADE	TELUS
		WATERMAIN	WATER SERVICE	WATER VALVE	WATERMAIN REDUCER	WATERMAIN COUPLER	FIRE HYDRANT	ARV	BC HYDRO
		STORM MANHOLE	STORM CAP	STORM LINE BREAK	INLET/OUTLET/HEADWALL	STORM MAIN	STORM CLEANOUT	STORM SERVICE	CATCH BASIN
		SANITARY MANHOLE	SANITARY SERVICE	CONCRETE	SANITARY MAIN	SANITARY CLEANOUT	ELEVATION	GRADE	TELUS
		SANITARY LINE BREAK	SANITARY MANHOLE	SANITARY SERVICE	CONCRETE	GUTTER LINE	ELEVATION	GRADE	TELUS
		WATERMAIN	WATER SERVICE	WATER VALVE	WATERMAIN REDUCER	WATERMAIN COUPLER	FIRE HYDRANT	ARV	BC HYDRO
		STORM MANHOLE	STORM CAP	STORM LINE BREAK	INLET/OUTLET/HEADWALL	STORM MAIN	STORM CLEANOUT	STORM SERVICE	CATCH BASIN
		SANITARY MANHOLE	SANITARY SERVICE	CONCRETE	SANITARY MAIN	SANITARY CLEANOUT	ELEVATION	GRADE	TELUS
		SANITARY LINE BREAK	SANITARY MANHOLE	SANITARY SERVICE	CONCRETE	GUTTER LINE	ELEVATION	GRADE	TELUS

DESIGNED BY: BM	APPROVED BY: BM	SCALE
DRAWN BY: CP	DESIGN START DATE: 11/2022	H2. SCALE: 1:250
CHECKED BY: CMD	CURRENT DATE: DEC 04 2023	V1. SCALE: 1:25

REV#	DATE	DESCRIPTION	BY
R4	2023/10	DIRT MOUNDS REMOVED + NEW SIDEWALK	CP
R3	2023/08	DIRT MOUNDS	CP
R2	2023/07	WATER FOUNTAIN AND BENCHES	CP
R1	2022/12	WOODCHIPS AND FRENCH DRAIN	CP
R0	2022/11	RUBBER MAT SLOPE DRAINAGE	CP

CITY OF DUNCAN  
200 CRAIG STREET  
DUNCAN, BC  
V9L 3Y2

CITY OF DUNCAN	FILE NUMBER: 2022.027
McADAM PARK PLAYGROUND	SHEET: 8 OF 14
DRY WELL PLAN & PROFILE	REVISION NO. R4
	DRAWING: C08
	DWG FILE: 2022.027 - R4





PROPOSED		EXISTING	
WATERMAIN	WATERMAIN BLOW OFF	WATERMAIN	WATERMAIN BLOW OFF
WATER SERVICE	WATERMAIN CAP	WATER SERVICE	WATERMAIN CAP
WATER VALVE	WATERMAIN LINE BREAK	WATER VALVE	WATERMAIN LINE BREAK
WATERMAIN REDUCER	STORM MAIN	WATERMAIN REDUCER	STORM MAIN
WATERMAIN COUPLER	STORM CLEANOUT	WATERMAIN COUPLER	STORM CLEANOUT
FIRE HYDRANT	STORM SERVICE	FIRE HYDRANT	STORM SERVICE
ARV	CATCH BASIN	ARV	CATCH BASIN
STORM MANHOLE	STORM CAP	STORM MANHOLE	STORM CAP
SANITARY LINE BREAK	SANITARY MANHOLE	SANITARY LINE BREAK	SANITARY MANHOLE
SANITARY SERVICE	CONCRETE	SANITARY SERVICE	CONCRETE
INLET/OUTLET/HEADWALL	SANITARY MAIN	INLET/OUTLET/HEADWALL	SANITARY MAIN
GUTTER LINE	ELEVATION	GUTTER LINE	ELEVATION
GRADE		GRADE	

WATERMAIN	ARV	CATCH BASIN	LINE BREAK
WATER SERVICE METER	FIRE HYDRANT	SANITARY MAIN	FENCE
WATER SERVICE VALVE	WATERMAIN BLOW OFF	SANITARY SERVICE MANHOLE	UTILITY POLE AND ANCHOR SIGN
WATERMAIN REDUCER	STORM MAIN	MANHOLE	GUTTER LINE
WATERMAIN COUPLER	INLET/OUTLET/HEADWALL	CAP	WATER COURSE
GAS	BC HYDRO	TELUS	SCALE OF LEGGEND: NTS

DESIGNED BY: BM APPROVED BY: BM  
 DRAWN BY: CP DESIGN START DATE: 11/2022  
 CHECKED BY: CMD CURRENT DATE: DEC 06 2023

SCALE  
 H2. SCALE: 1:200  
 V1. SCALE: N/A

REV#	DATE	DESCRIPTION	REVISIONS	BY
R4	2023/10	DIRT MOUNDS REMOVED + NEW SIDEWALK		CP
R3	2023/08	DIRT MOUNDS		CP
R2	2023/07	WATER FOUNTAIN AND BENCHES		CP
R1	2022/12	WOODCHIPS AND FRENCH DRAIN		CP
R0	2022/11	RUBBER MAT SLOPE DRAINAGE		CP

**CITY OF DUNCAN**  
 200 CRAIG STREET  
 DUNCAN, BC  
 V9L 3Y2

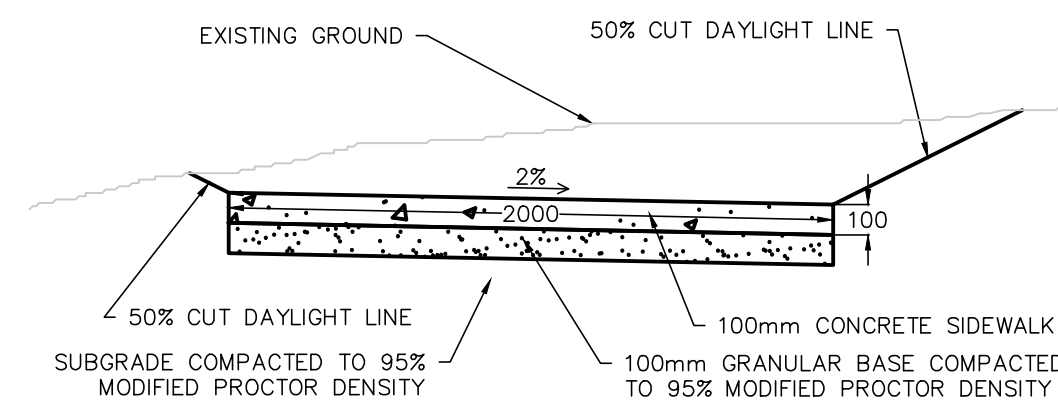
**CITY OF DUNCAN**  
**MCADAM PARK PLAYGROUND**  
 ---  
**SIDEWALK GRADING PLAN**  
 ---

FILE NUMBER:	2022.027
SHEET:	9 OF 14
REVISION NO.	R4
DRAWING:	C09
DWG FILE:	2022.027 - R4

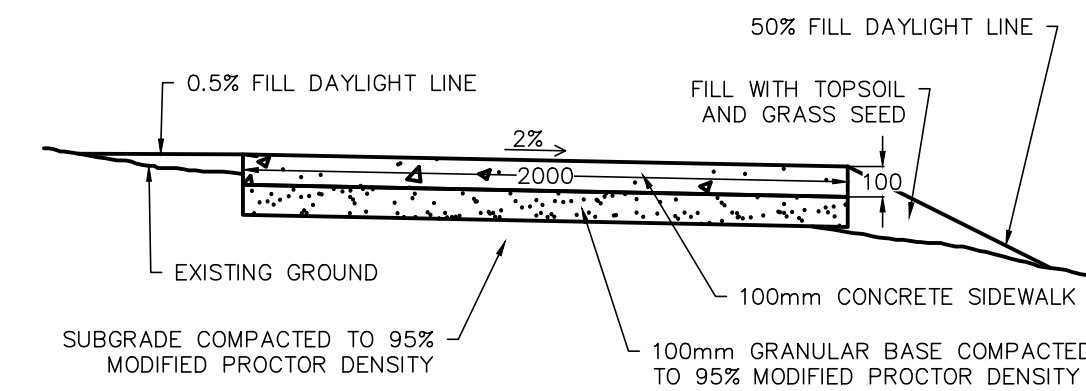
C:\Users\jgibson\OneDrive\Documents\Projects\2022\2022.027 - McAdam Park Playground\Drawings\2022.027 - R4.dwg - 2023/10/27 10:00 AM - JGIBSON, JEFFREY



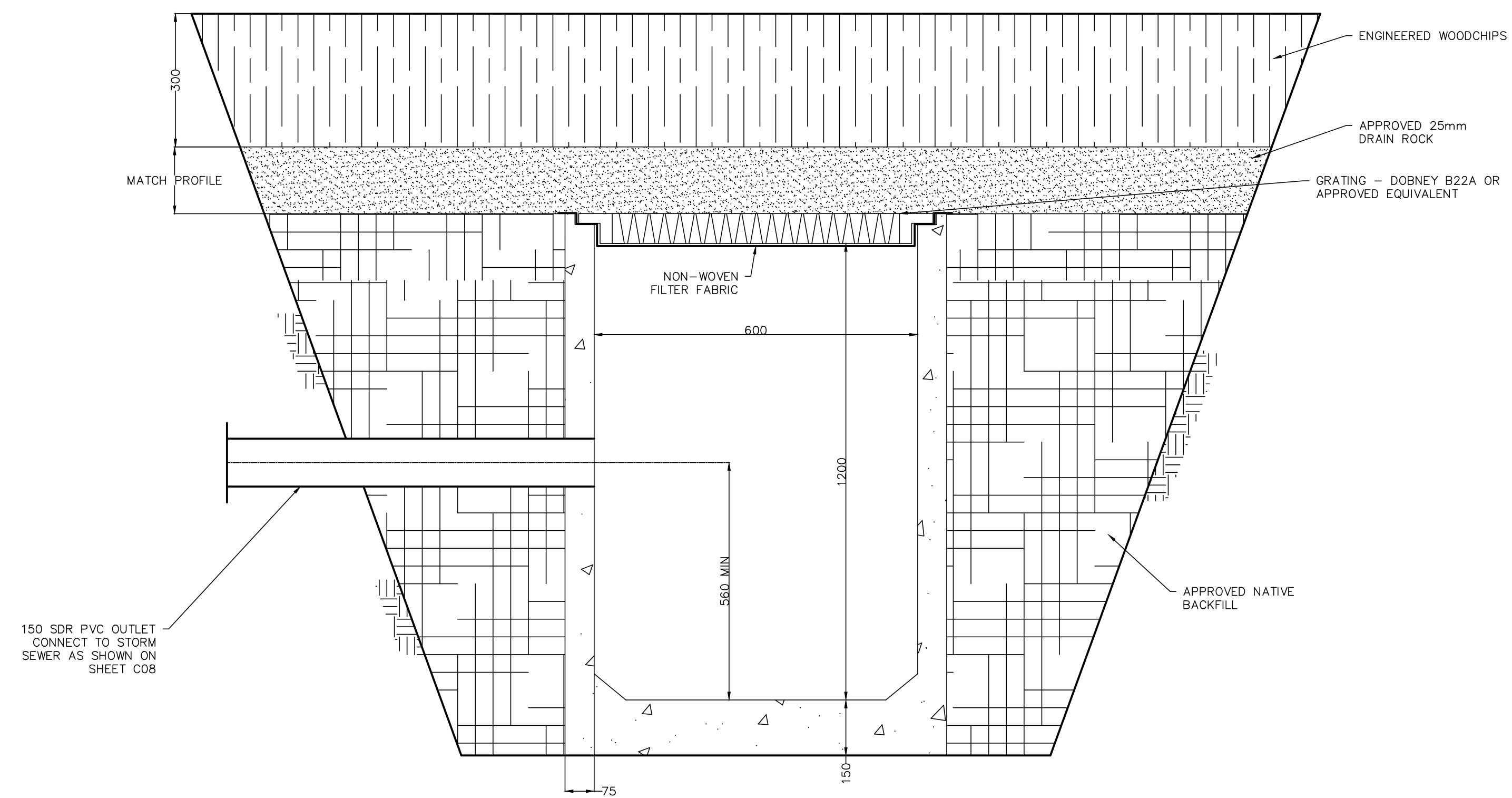
TYPICAL SIDEWALK CROSS SECTION FROM STA 10+000 TO STA 10+017.70



TYPICAL SIDEWALK CROSS SECTION FROM STA 10+017.70 TO STA 10+065.58



LAWN DRAIN TYPE 2

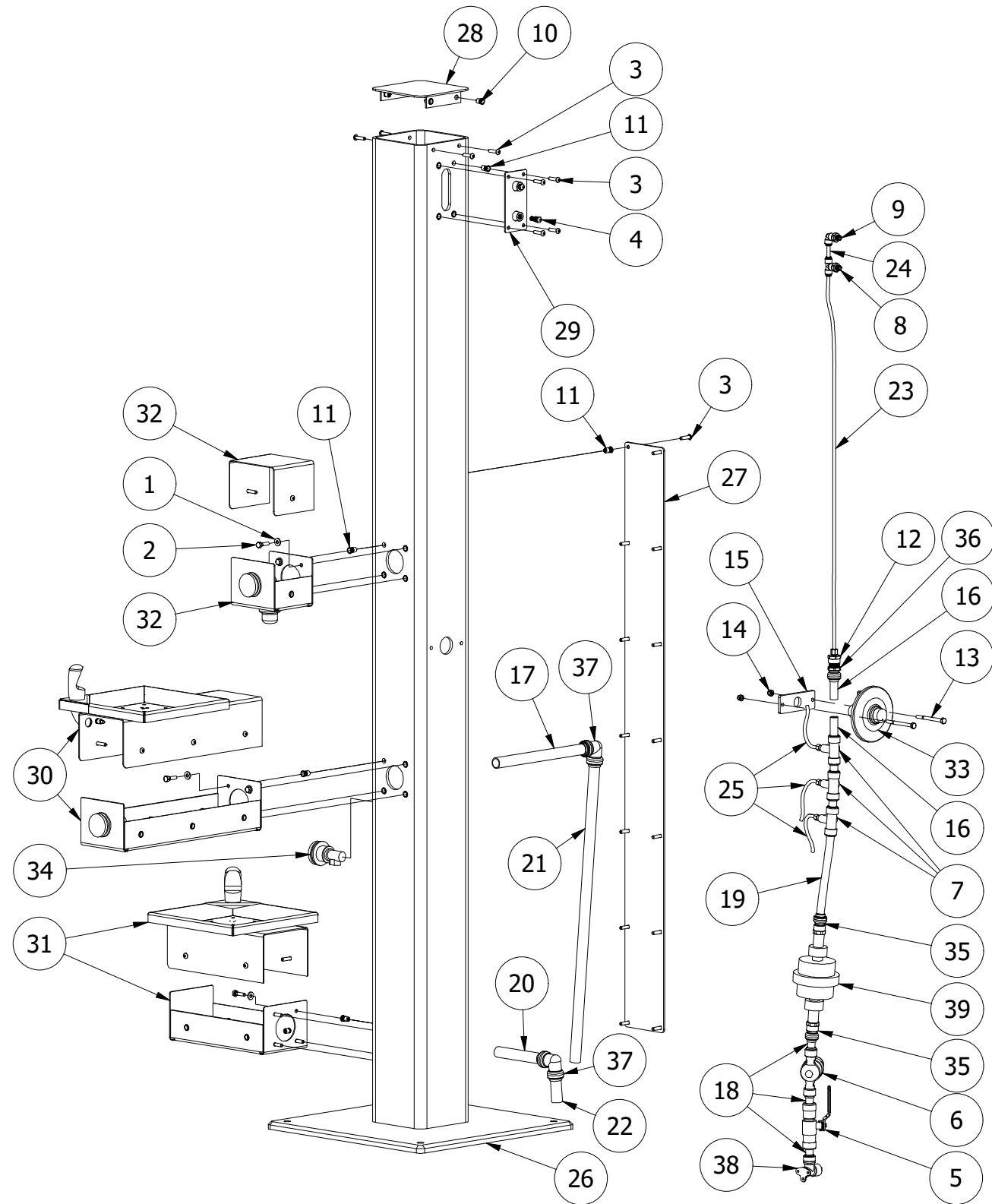


NOTE: 1. REFER TO CONTRACT DRAWINGS, SECTION 33 44 01 FOR DETAILED SPECIFICATIONS. NOT TO SCALE

LEGEND	PROPOSED	WATERMAIN	WATERMAIN BLOW OFF	STORM MANHOLE	SANITARY LINE BREAK	WATERMAIN	ARV	CATCH BASIN	LINE BREAK	DESIGNED BY: BM	APPROVED BY: BM	SCALE	CITY OF DUNCAN 200 CRAIG STREET DUNCAN, BC V9L 3Y2	CITY OF DUNCAN McADAM PARK PLAYGROUND	FILE NUMBER: 2022.027
	WATER SERVICE	WATERMAIN CAP	STORM CAP	SANITARY MANHOLE	WATER SERVICE METER	FIRE HYDRANT	SANITARY MAIN	FENCE	DRAWN BY: CP	DESIGN START DATE: 11/2022	H2. SCALE: N/A	SHEET: 11 OF 14			
	WATER VALVE	WATERMAIN LINE BREAK	STORM LINE BREAK	SANITARY SERVICE	WATER SERVICE	WATERMAIN BLOW OFF	SANITARY SERVICE	UTILITY POLE AND ANCHOR	CHECKED BY: CMD	CURRENT DATE: DEC 04 2023	V1. SCALE: N/A	REVISION NO. R4			
	WATERMAIN REDUCER	STORM MAIN	INLET/OUTLET/HEADWALL	CONCRETE	WATER VALVE	STORM MAIN	MANHOLE	SIGN	REVISIONS			DRAWING: C11			
WATERMAIN COUPLER	STORM CLEANOUT	SANITARY MAIN	GUTTER LINE	WATERMAIN REDUCER	STORM SERVICE	CLEANOUT	GUTTER LINE	REV#	DATE	DESCRIPTION	BY	DWG FILE: 2022.027 - R4			
FIRE HYDRANT	STORM SERVICE	SANITARY CLEANOUT	ELEVATION	WATERMAIN COUPLER	INLET/OUTLET/HEADWALL	CAP	WATER COURSE	R4	2023/10	DIRT MOUNDS REMOVED + NEW SIDEWALK	CP				
ARV	CATCH BASIN	SANITARY CAP	GRADE	GAS	BC HYDRO	TELUS	SCALE OF LEGGEND: NTS	R3	2023/08	DIRT MOUNDS	CP				
								R2	2023/07	WATER FOUNTAIN AND BENCHES	CP				
								R1	2022/12	WOODCHIPS AND FRENCH DRAIN	CP				
								R0	2022/11	RUBBER MAT SLOPE DRAINAGE	CP				

**GENERAL NOTES:**

1. PLUMBING FITTINGS MAY BE SUBSTITUTED. FITTINGS MUST HAVE SAME CONNECTION STYLE AND BE RATED FOR 150 PSI POTABLE WATER.
2. REMOVE FIXTURE COVERS TO MOUNT FIXTURES TO COLUMN AND INSTALL PLUMBING.
3. APPLY BLUE LIQUID THREAD LOCKER TO ALL FASTENERS DURING FINAL ASSEMBLY.
4. REFER TO P2022-355-0001A FOR SUPPLY HOSE AND HYDRANT CONNECTION INFORMATION



**PARTS LIST**

ITEM	PART NUMBER	DESCRIPTION	VENDOR	QTY
1	1/4 FLAT WASHER	1/4-20 ZINC PLATED FLAT WASHER	N/A	12
2	1/4-20 HEX BOLT	1/4-20 X 1 LG ZINC PLATED GRADE 8 HEX BOLT	N/A	12
3	1/4-20 SCREW	1/4-20 X 1 STAINLESS STEEL BUTTON HEAD TORX SCREW - TAMPER RESISTANT	MCMaster-CARR	22
4	3178K41	MISTING NOZZLE, .01 ORIFICE, 1/8 NPT	MCMaster-CARR	2
5	22222LF	VALVE, 1/2 PUSH CONNECT	SHARKBITE	1
6	24472-0045	PRESSURE REDUCING VALVE, 1/2 FEMALE NPT, BRASS, 10-70PSI OUTLET	SHARKBITE	1
7	24983	VALVE TEE, 1/2 PUSH CONNECT, 1/4 (OD) COMPRESSION BRANCH	SHARKBITE	3
8	51055K26	TEE ADAPTER, 1/4 OD PUSH CONNECT TO 1/8 MALE NPT	MCMaster-CARR	1
9	51055K47	ELBOW ADAPTER, 1/4 OD PUSH CONNECT TO 1/8 MALE NPT	MCMaster-CARR	1
10	97467A725	RIVET NUT, 1/4-20, FOR 0.027 TO 0.165 THICK MATERIAL, STAINLESS STEEL	MCMaster-CARR	4
11	97467A726	RIVET NUT, 1/4-20, FOR 0.188 TO 0.26 THICK MATERIAL, STAINLESS STEEL	MCMaster-CARR	30
12	G6008-08-04	ADAPTER, 1/4 OD COMPRESSION X 1/2" FNPT	GREEN LINE	1
13	HHCS 1/4-20 UNC X 3 - GR 5	HEX HEAD BOLT 1/4-20 UNC X 3" - GRADE 5	N/A	2
14	NNT 1/4-20 UNC - GR 5	NYLOCK NUT 1/4-20 UNC - GRADE 5	N/A	2
15	P2022-355-0003P	MISTING VALVE BRACKET	N/A	1
16	P2022-355-0005P	TUBE, COPPER, 1/2" X 2-1/2" LG (NO DRAWING)	N/A	2
17	P2022-355-0006P	TUBE, PEX, 3/4" ID (7/8" OD) X 11" LG (NO DRAWING)	N/A	1
18	P2022-355-0007P	TUBE, PEX, 1/2" ID (5/8" OD) X 2-1/2" LG (NO DRAWING)	N/A	5
19	P2022-355-0008P	TUBE, PEX, 1/2" ID (5/8" OD) X 8-5/8" LG (NO DRAWING)	N/A	1
20	P2022-355-0009P	TUBE, PEX, 3/4" ID (7/8" OD) X 6" LG (NO DRAWING)	N/A	1
21	P2022-355-0010P	TUBE, PEX, 3/4" ID (7/8" OD) X 26 LG (NO DRAWING)	N/A	1
22	P2022-355-0011P	TUBE, PEX, 3/4" ID (7/8" OD) X 3 LG (NO DRAWING)	N/A	1
23	P2022-355-0012P	TUBE, PEX, 1/4" OD X 32" LG (NO DRAWING)	N/A	1
24	P2022-355-0013P	TUBE, PEX, 1/4" OD X 2" LG (NO DRAWING)	N/A	1
25	P2022-355-0014P	TUBE, PEX, 1/4" OD X 48" LG (NO DRAWING) - CUT TO LENGTH	N/A	3
26	P2022-355-0100A	DRINKING FOUNTAIN TOWER	N/A	1
27	P2022-355-0103P	DRINKING FOUNTAIN BACK COVER	N/A	1
28	P2022-355-0110A	DRINKING FOUNTAIN TOP CAP	N/A	1
29	P2022-355-0120A	MISTING NOZZLE MOUNT	N/A	1
30	P2022-355-0200A	DRINKING FOUNTAIN FIXTURE	N/A	1
31	P2022-355-0300A	DRINKING FOUNTAIN DOG FIXTURE	N/A	1
32	P2022-355-0400A	WATER BOTTLE STATION	N/A	1
33	SLSHVC-355	PUSH BUTTON AUTO SHUT OFF VALVE, 1/2" OD COMPRESSION	KING SUPPLY CO	1
34	T9A604021	DRINKING FOUNTAIN PUSH BUTTON	GLOBAL INDUSTRIAL	1
35	U072LFA	ADAPTER, 1/2" PUSH CONNECT X 1/2" FNPT	SHARKBITE	2
36	U120LF	ADAPTER, 1/2 PUSH CONNECT TO 1/2 MALE NPT	SHARKBITE	1
37	U256LF	ELBOW, 3/4 PUSH CONNECT, BRASS	SHARKBITE	2
38	U334LF	DROP-EAR ELBOW, 1/2" PUSH CONNECT X 1/2" FNPT	SHARKBITE	1
39	WVT-A-01	WATER METER	DWYER	1

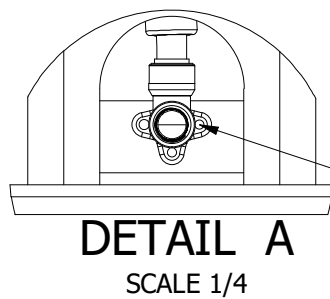
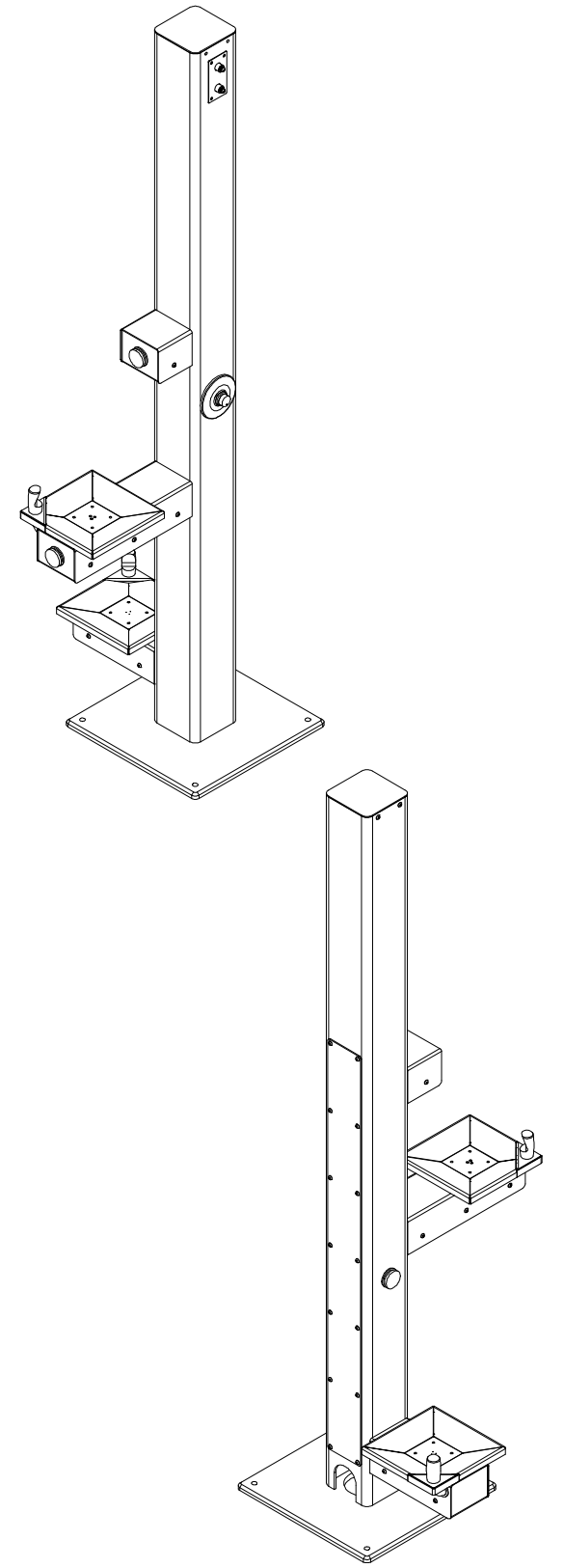
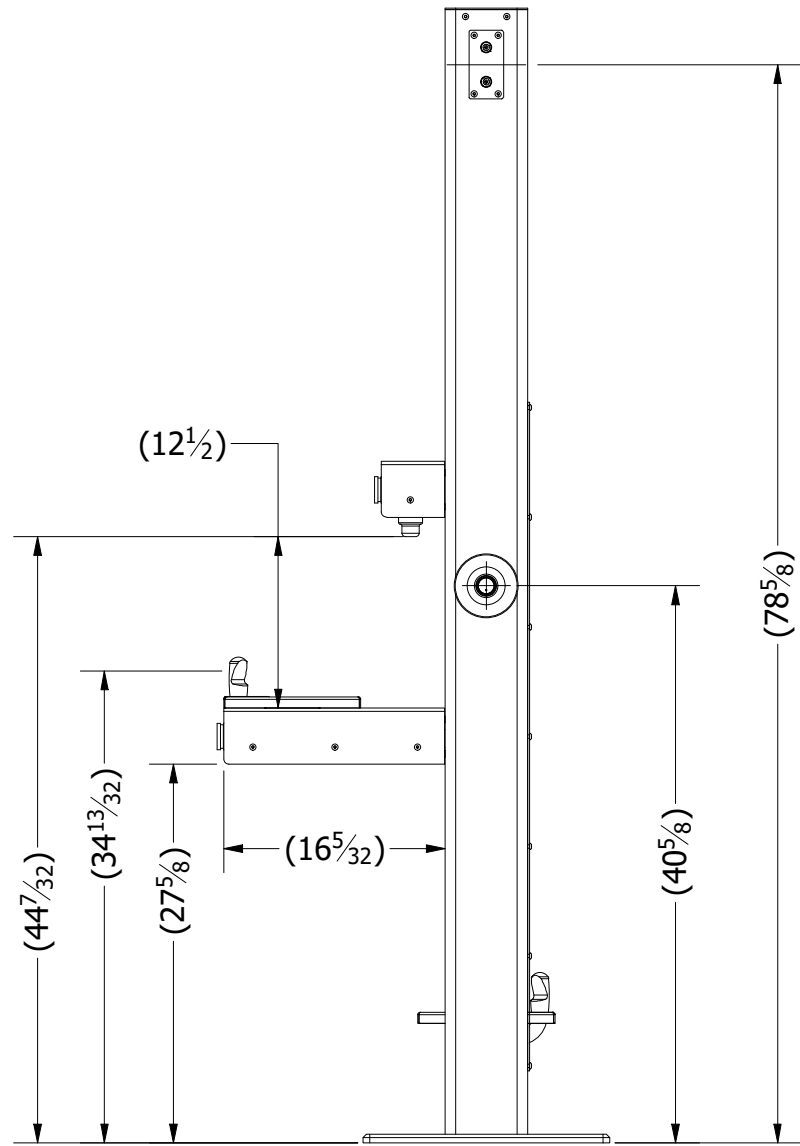
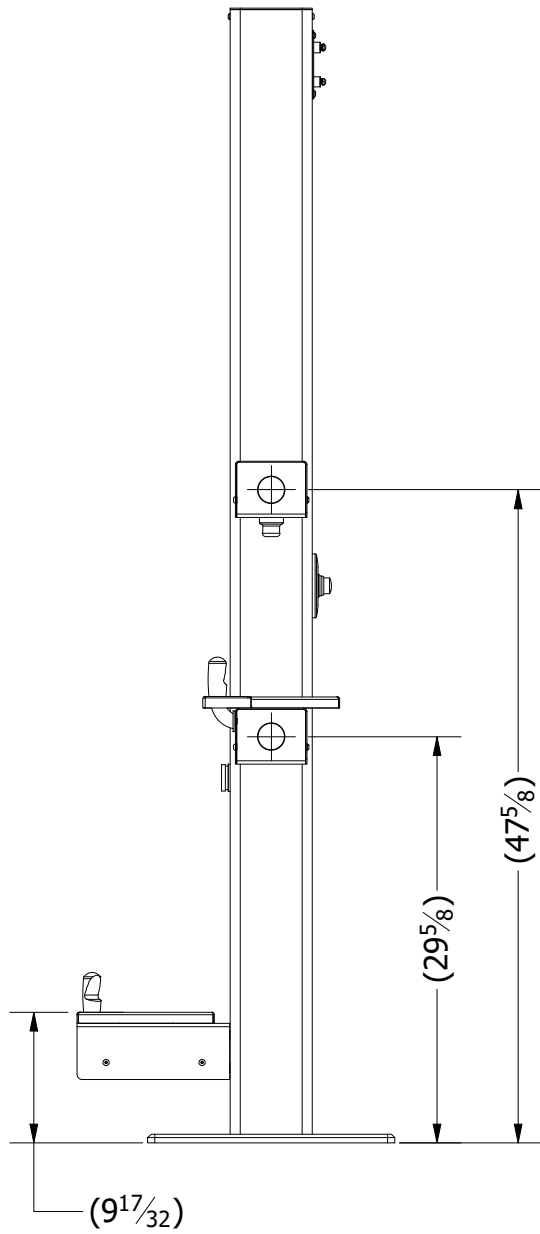
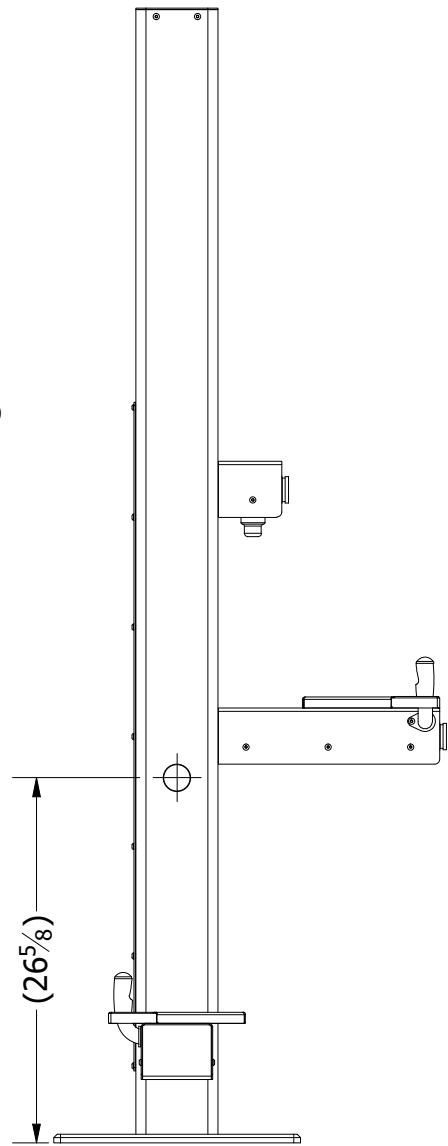
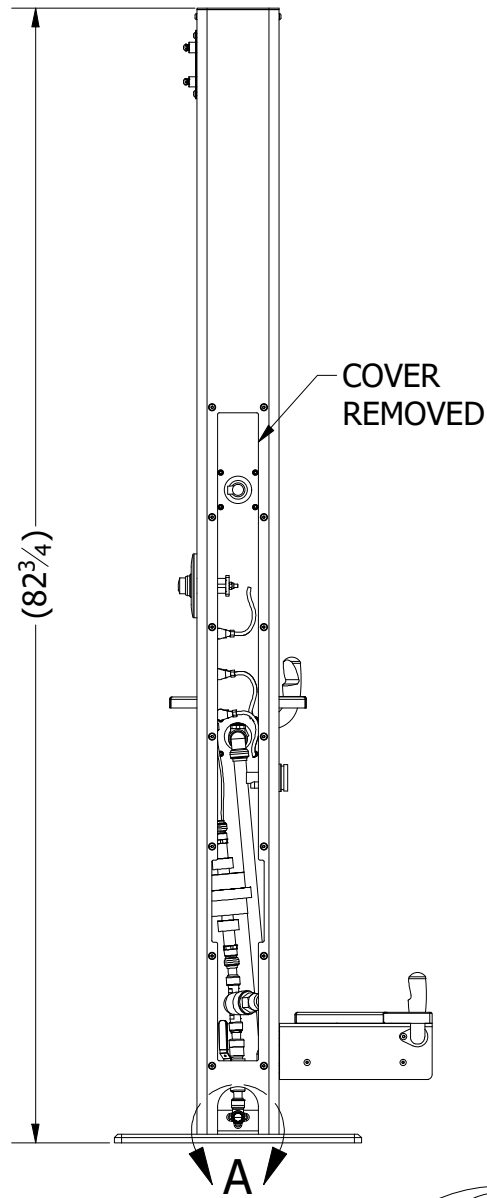
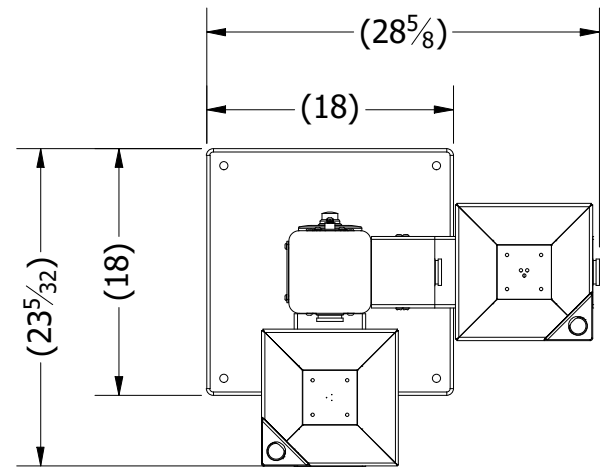
**CAUTION:**  
**DRINKING FOUNTAIN IS UNSTABLE**  
**UNLESS FASTENED SECURELY TO**  
**CONCRETE BASE.**

REV	DESCRIPTION	PROJECT	DATE	BY
B	SHORTENED BOTTLE FILLER, CHANGED FIXTURES TO STAINLESS STEEL, UPDATED FITTING PACKAGE	P2023-337	07/12/2023	JM
A	INITIAL RELEASE	2022-355	05/23/2023	JM

**REVISION HISTORY**

IF IN DOUBT, PLEASE ASK.


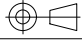
UNLESS OTHERWISE SPECIFIED DIMENSIONS ARE IN INCHES TOLERANCES: FRACTIONAL ± 1/16" ANGULAR: MACH ± 0.1° BEND ± 1° TWO PLACE DECIMAL ± .01" THREE PLACE DECIMAL ± .005" SURFACE FINISH 125 REMOVE AND DE-BUR SHARP EDGES WELDING DONE BY JOURNEYMAN WELDER ALL WELDING CALLOUTS IN ACCORDANCE WITH AWS A2.4		<b>THE CITY OF CALGARY</b> <b>FLEET SERVICES</b>					
				<b>TITLE:</b> <b>DRINKING FOUNTAIN</b>			
DESIGN	J.MCLEOD	SCALE	1 / 17	SHEET SIZE	B	REVISION	B
MATERIAL	N/A	ENGINEER	N/A	DRAWING NUMBER		<b>P2022-355-0000A</b>	
FINISH	DEGREASE AND CLEAN	DRAWN	J.MCLEOD	<b>SHEET 1 OF 2</b>			
ENGINEER STAMP	MASS	97.17 Lbs	DATE			10/25/2022	

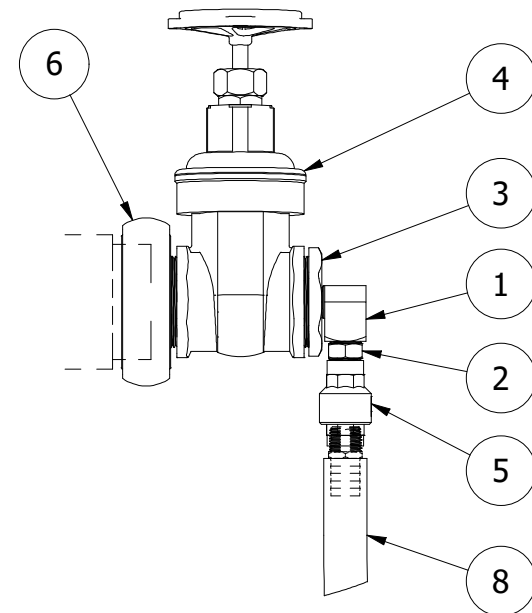


FASTEN DROP-EAR ELBOW TO PLATE AFTER CONNECTING SUPPLY HOSE

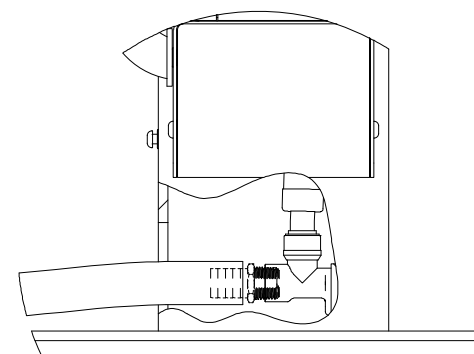
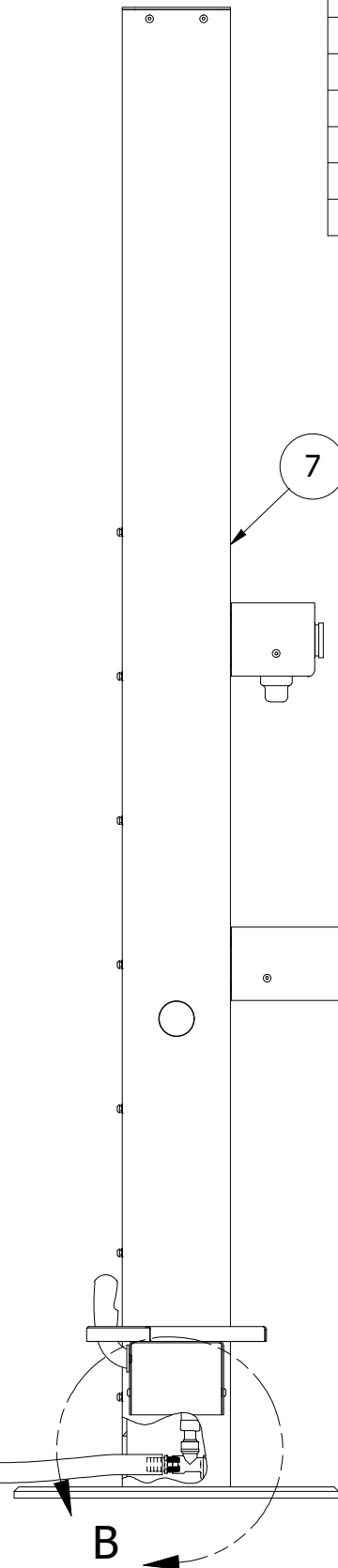
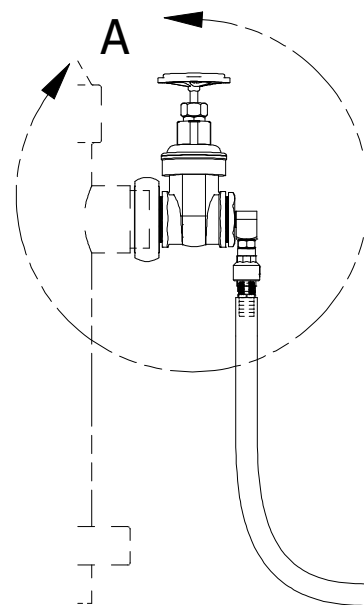
**DETAIL A**  
SCALE 1/4

IF IN DOUBT, PLEASE ASK.

UNLESS OTHERWISE SPECIFIED DIMENSIONS ARE IN INCHES TOLERANCES: FRACTIONAL $\pm 1/16"$ ANGULAR: MACH $\pm 0.1^\circ$ BEND $\pm 1^\circ$ TWO PLACE DECIMAL $\pm .01"$ THREE PLACE DECIMAL $\pm .005"$ SURFACE FINISH 125 REMOVE AND DE-BUR SHARP EDGES WELDING DONE BY JOURNEYMAN WELDER ALL WELDING CALLOUTS IN ACCORDANCE WITH AWS A2.4		 <b>THE CITY OF CALGARY</b> <b>FLEET SERVICES</b>					
		<b>TITLE:</b> DRINKING FOUNTAIN					
DESIGN	J.MCLEOD	SCALE	1/14	SHEET SIZE	B	REVISION	B
MATERIAL	N/A	ENGINEER	N/A	DRAWING NUMBER		 SHEET 2 OF 2	
FINISH	DEGREASE AND CLEAN	DRAWN	J.MCLEOD	P2022-355-0000A			
ENGINEER STAMP	MASS	97.17 Lbs	DATE	10/25/2022			



**DETAIL A**  
SCALE 1 / 5



**DETAIL B**  
SCALE 1 / 5

PARTS LIST				
ITEM	PART NUMBER	DESCRIPTION	VENDOR	QTY
1	1491N114	ELBOW, 1/2 MNPT X 1/2 FNPT, BRASS	MCMMASTER-CARR	1
2	1491N235	NIPPLE, 1/2 NPT, BRASS	MCMMASTER-CARR	1
3	4452K192	REDUCER BUSHING, 2" MNPT X 1/2" FNPT	MCMMASTER-CARR	1
4	4619K18	GATE VALVE, 2" FNPT, BRASS	MCMMASTER-CARR	1
5	8517T23	CHECK VALVE 1/2 FNPT, BRASS	MCMMASTER-CARR	1
6	G82SBAT-200	SWIVEL ADAPTER, 2.5" BRITISH COLUMBIA STANDARD/ALBERTA MUTUAL THREAD X 2" MNPT	GREEN LINE	1
7	P2022-355-0000A	DRINKING FOUNTAIN	N/A	1
8	P2022-355-0002A	DRINKING WATER HOSE ASSEMBLY, 3/4" G1031-075 HOSE W/ 1/2" MNPT ENDS, LENGTH TBD (NO DRAWING)	GREEN LINE	1

**GENERAL NOTES:**

- LAYOUT SHOWN FOR REFERENCE, AND WILL REQUIRE ADJUSTMENT BASED ON INSTALLATION LOCATION.
- FITTING INFORMATION IS FOR REFERENCE ONLY. CHANGES MAY BE REQUIRED BASED ON FITTING AVAILABILITY AND CHANGES IN INSTALLATION LAYOUT. FITTINGS MUST BE RATED FOR 150 PSI MINIMUM AND BE SUITABLE FOR DRINKING WATER.
- HOSE LENGTH TO BE DETERMINED BASED ON SITE LAYOUT FOR EACH FOUNTAIN
- ISOLATION VALVE AND CHECK VALVE SHOULD BE INSTALLED DIRECTLY ON HYDRANT.
- IT IS THE RESPONSIBILITY OF THE INSTALLER TO BE FAMILIAR WITH AND ADHERE TO ALL RELEVANT STANDARDS FOR INSTALLATION OF POTABLE WATER STATIONS AND CONNECTIONS TO HYDRANTS.
- FOUNTAIN REQUIRES REGULAR ACCESS TO 3 SIDES, AND ACCESS TO THE FOURTH SIDE FOR SET-UP AND MAINTENANCE.
- FOUNTAIN MUST BE SECURELY FASTENED TO A SUITABLE CONCRETE SUBSTRATE THROUGH THE MOUNTING HOLES PROVIDED IN THE BASE PLATE. SPECIFIC HARDWARE AND ANCHOR SPECIFICATIONS ARE THE RESPONSIBILITY OF THE INSTALLER, BASED ON CONDITIONS OF THE INSTALLATION.

UNLESS OTHERWISE SPECIFIED		<b>THE CITY OF CALGARY</b> <b>FLEET SERVICES</b>			
<small>DIMENSIONS ARE IN INCHES  TOLERANCES:  FRACTIONAL ± 1/16"  ANGULAR: MACH ± 0.1°  BEND ± 1°  TWO PLACE DECIMAL ± .01"  THREE PLACE DECIMAL ± .005"  SURFACE FINISH 125  REMOVE AND DE-BUR SHARP EDGES  WELDING DONE BY JOURNEYMAN WELDER  ALL WELDING CALLOUTS IN ACCORDANCE WITH AWS A2.4</small>		<b>TITLE:</b> DRINKING FOUNTAIN HYDRANT CONNECTION			
DESIGN	J.MCLEOD	SCALE: NTS	SHEET SIZE B	REVISION	A
MATERIAL	N/A	ENGINEER	N/A	DRAWING NUMBER	
FINISH	N/A	DRAWN	J.MCLEOD	P2022-355-0001A	
ENGINEER STAMP	MASS	90.98 Lbs	DATE	6/28/2023	SHEET 1 OF 1

A	INITIAL RELEASE	P2022-355	07/17/2023	JM
REV	DESCRIPTION	PROJECT	DATE	BY
<b>REVISION HISTORY</b>				

IF IN DOUBT, PLEASE ASK.