

SYMBOL LEGEND		
SYMBOL	DESCRIPTION	MOUNTING
□-□	ROADWAY AREA LUMINAIRE	POLE
(A)	INDICATES LUMINAIRE TYPE 'A' - SEE LUMINAIRE SCHEDULE	
(1)	INDICATES NOTE REFERENCE NO. 1	

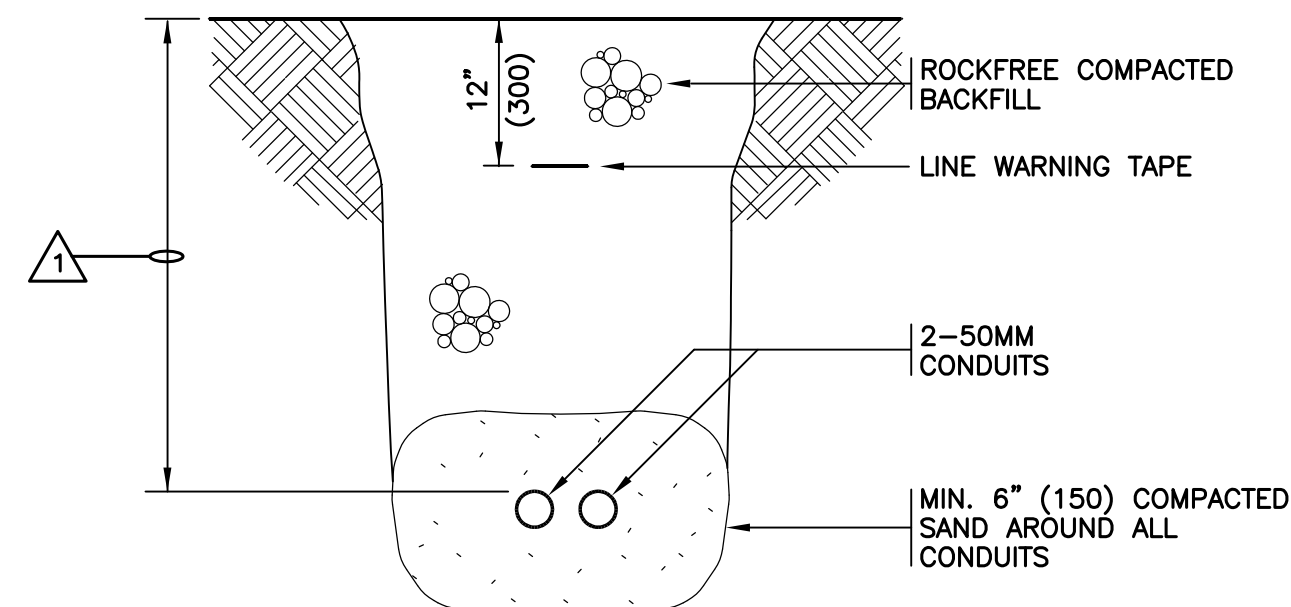
SCHEDULE

Sl Location	Manuf.	Model	Lamp	Lens	Volt	Options	Adaptors	Chamber	Finish	Notes	Quantity Required
A	Phillips	DMS50	110W64LED4K-T	LE3F	120	DMG	SMB	RC	BKTX	Vehicle Luminaire	2
C (Upper)	Phillips	DMS50	110W64LED4K-T	LE3F	120	DMG	SMB	RC	BKTX	Vehicle Luminaire	2
C (Lower)	Phillips	DOS50	35W32LED4K-T	LE3F	120	---	---	---	BKTX	Pedestrian Luminaire	2

Sl Location	Manuf.	Model	Configuration	Finish	Notes	Quantity Required
A	Phillips	VC8	1A	BKTX	Vehicle Luminaire	2
C (Upper)	Phillips	VC8	1A	BKTX	Vehicle Luminaire	2
C (Lower)	Phillips	VC-F-VD-10	180deg-TS	BKTX	Pedestrian Luminaire	2

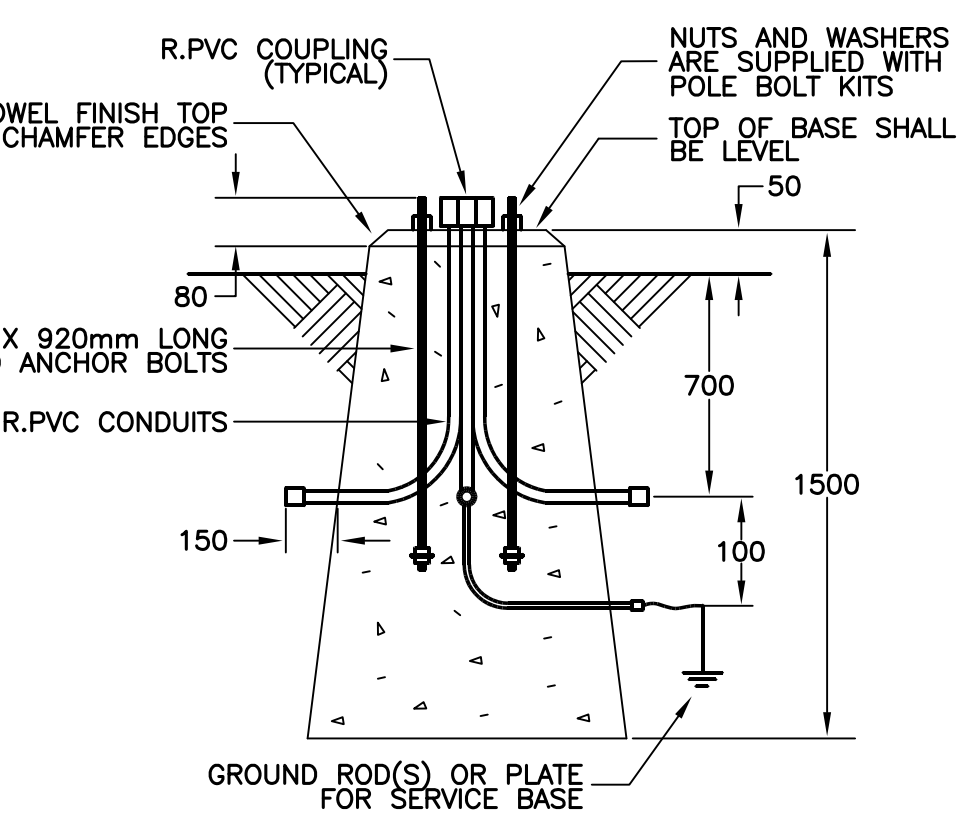
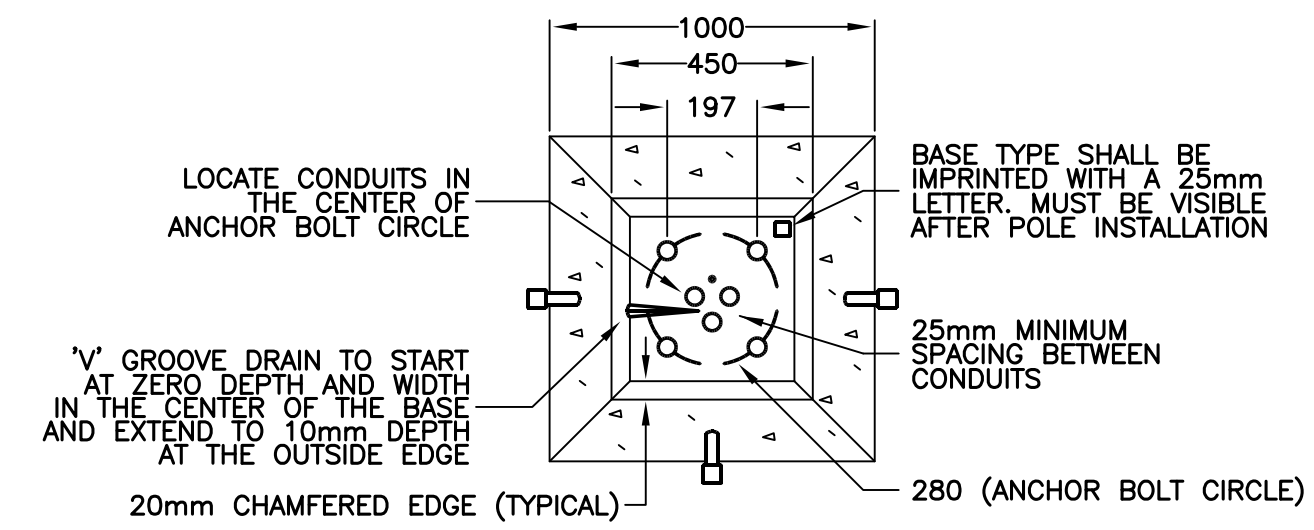
Notes:
 - VD-XX indicates Vertical Distance, in feet, from Anchor Plate.
 - Update Catalog numbers to most current versions if required.
 - Shop drawings are required.

Sl Location	Manuf.	Catalog	GFI	Mid Pole Lum.	Plant Support	Finish	Notes	Quantity Required
A	Phillips	SSM8V-28	GFII-VD-12	---	PSS-VD-16-0deg	BKTX	Vehicle Luminaire only	2
C	Phillips	SSM8V-28	GFII-VD-12	MPL-VD-10	PSS-VD-16-0deg	BKTX	Vehicle and Pedestrian Luminaire	2



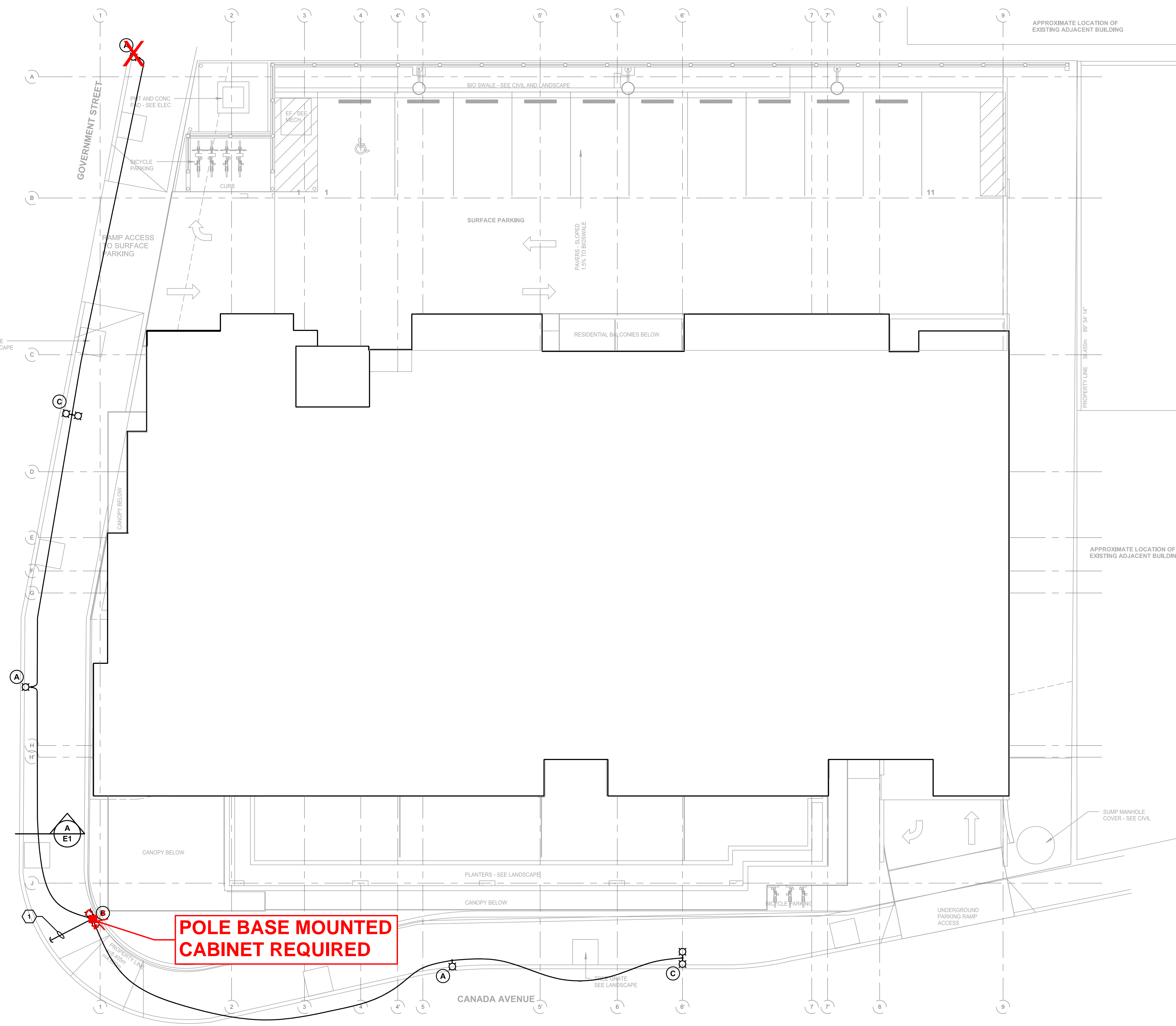
A TRENCH SECTION (EXISTING)
 NTS

MIN. 24" TO OP. OF CONDUITS.
 MIN. 1 METER IN DRIVE AISLES.



B TYPE 'C' POLE BASE DETAIL (EXISTING)
 NTS

* REFER TO MMCD DRAWINGS FOR ADDITIONAL INFORMATION.



POLE BASE MOUNTED CABINET REQUIRED

1 SITE PLAN
 E1 SCALE: 1:100

REFERENCE NOTES:
 (1) CONNECT TO EXISTING BC HYDRO SERVICE AT PEDESTRIAN CROSSING SIGNAL LOCATION FOR INTERSECTION.

DWG CoD #1

SEAL

TRIUMPH ELECTRICAL
 CONSULTING ENGINEERING LTD
 www.triumphengineering.ca

PROJECT

DAKOVA SQUARE OFF-SITE SERVICES
 15 CANADA AVE
 DUNCAN, B.C.

ISSUE FOR DATE

COPYRIGHT RESERVED
 THIS DRAWING AND ALL COPYRIGHT THEREIN ARE THE SOLE AND EXCLUSIVE PROPERTY OF THE CONSULTANT. REPRODUCTION OR USE OF THIS DRAWING IN WHOLE OR IN PART IS PROHIBITED AND MAY NOT BE USED WITHOUT THE WRITTEN CONSENT OF THE CONSULTANT.

DRAWING TITLE
 SYMBOL, SCHEDULE, SITE PLAN, LUMINAIRE SCHEDULE, POLE BASE DETAIL & TRENCH DETAIL

SCALE: AS NOTED

PROJ. NO. 14-KPLJ-06

DRAWN BY: MSR

CHECKED BY: RJS

DATE: 01.09.17

SHEET NO. E1 1 OF