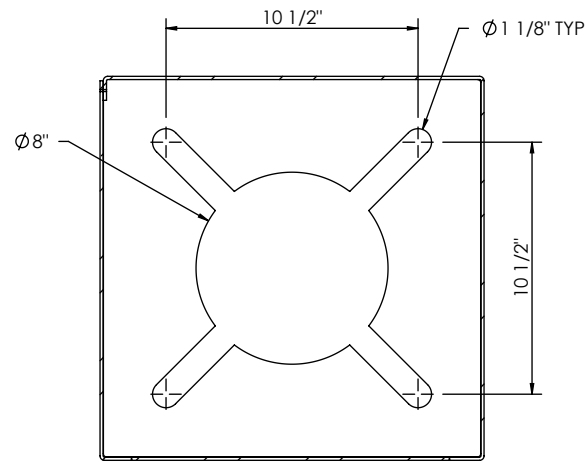


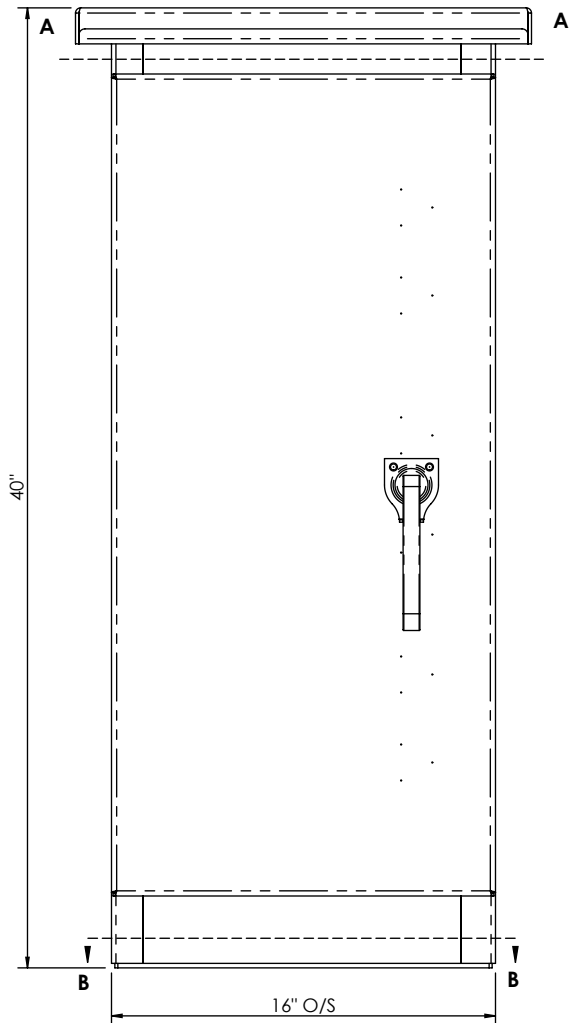
SECTION A-A



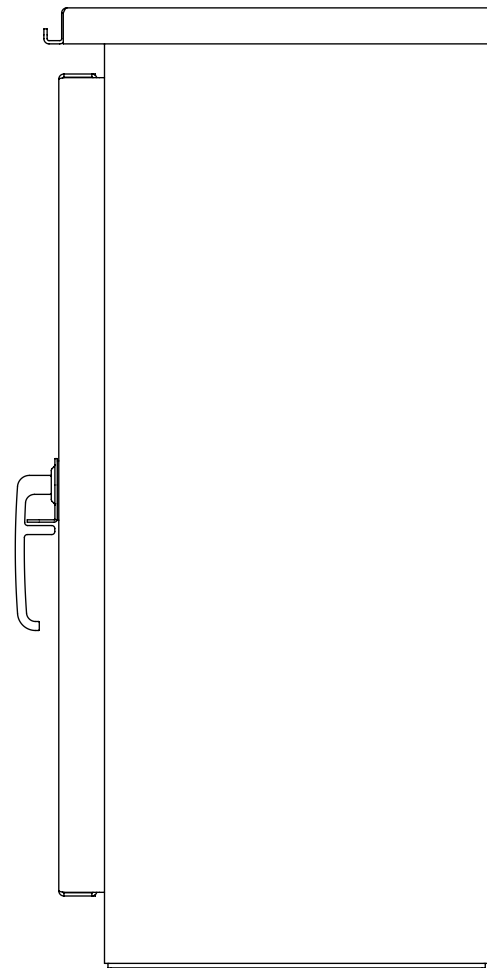
SECTION B-B

Part #: KSDCF401616-211807

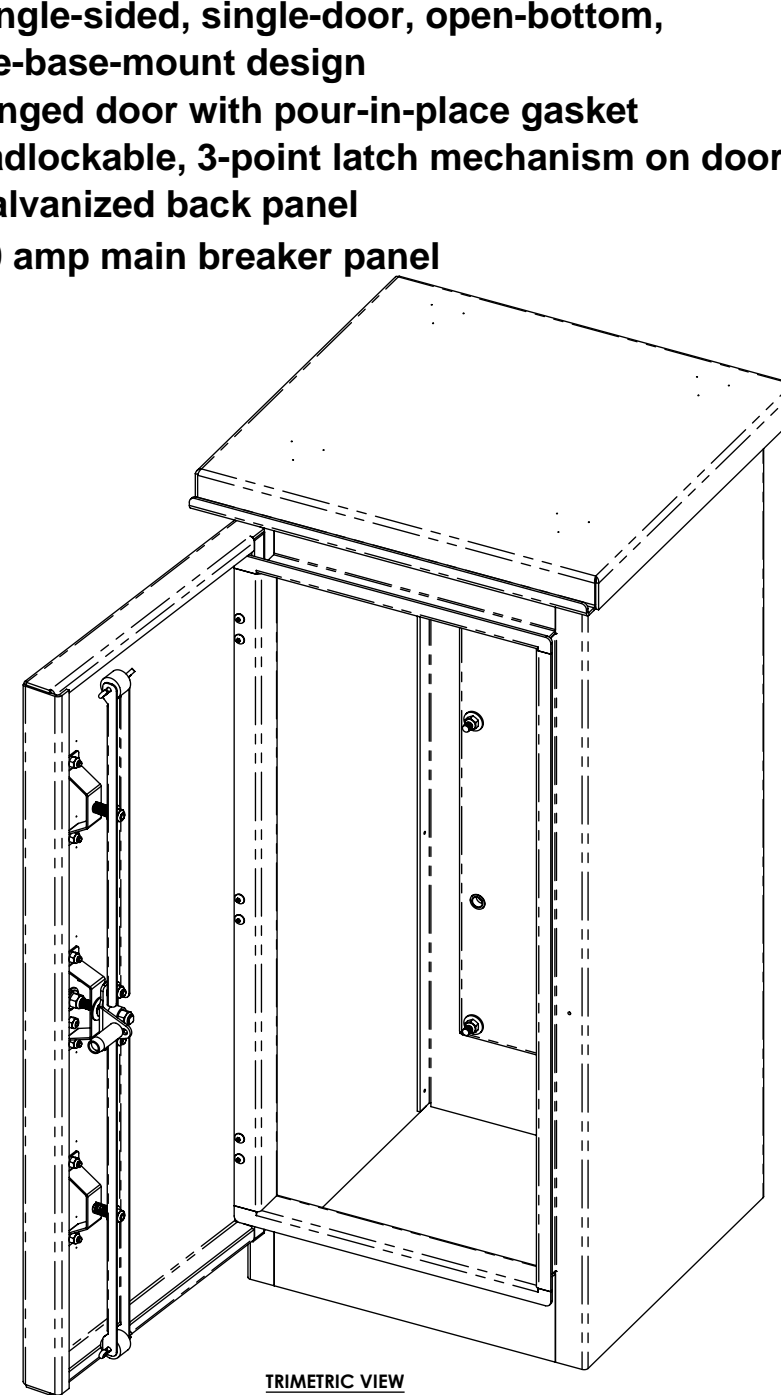
- Steel construction
- Dimensions of 40"H x 16"W x 16"D
- Powder coated PC 136 Carbon Black
- CSA Type 3R rated
- Single-sided, single-door, open-bottom, pole-base-mount design
- Hinged door with pour-in-place gasket
- Padlockable, 3-point latch mechanism on door
- Galvanized back panel
- 60 amp main breaker panel



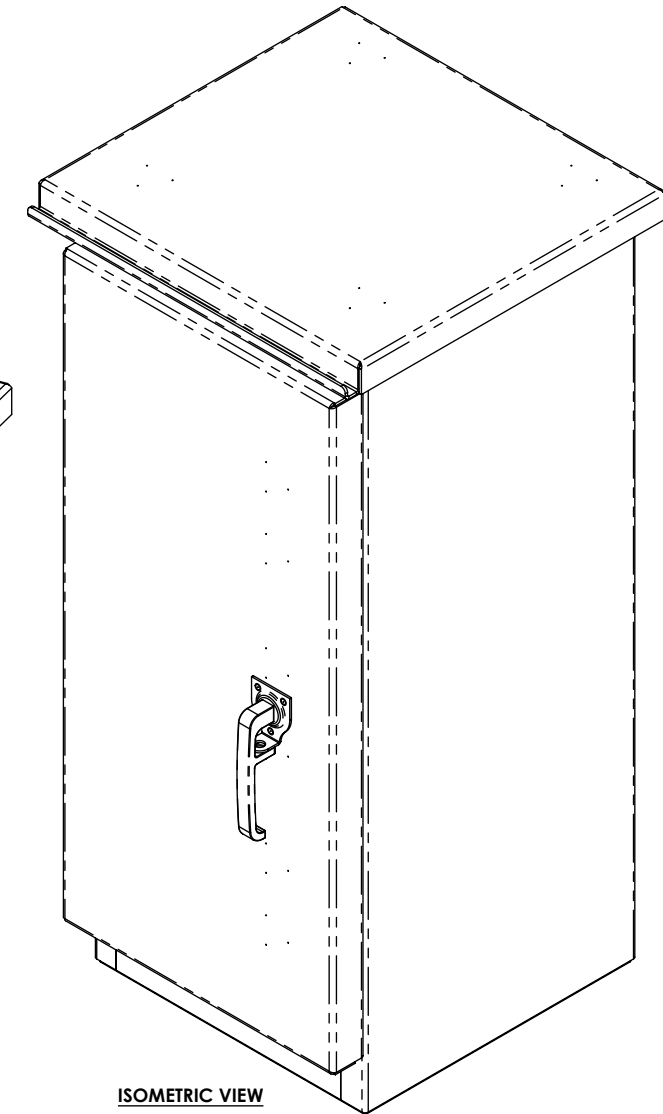
FRONT VIEW



SIDE VIEW



TRIMETRIC VIEW



ISOMETRIC VIEW

DWG CoD #2

REV.	DESCRIPTION	BY	DATE

THIRD ANGLE PROJECTION UNLESS OTHERWISE SPECIFIED DIMENSIONS ARE IN INCHES TOLERANCES ARE: FRACTIONS DECIMALS ANGLES ± 1/32" .XX ± .01 ± .5° .XXX ± .003	APPROVALS	DATE	VALID MANUFACTURING LTD. ASSY, POLE BASE KIOSK, 40 x 16 x 16in
	DRAWN RC	28AUG13	
DO NOT SCALE DRAWING	DENSITY	0.278	DWG. NO. 61877-A01-01
	WEIGHT	177.24 lb	REV. -
			SIZE: B SCALE (UNLESS NOTED) 1:8 SHEET 1 OF 1