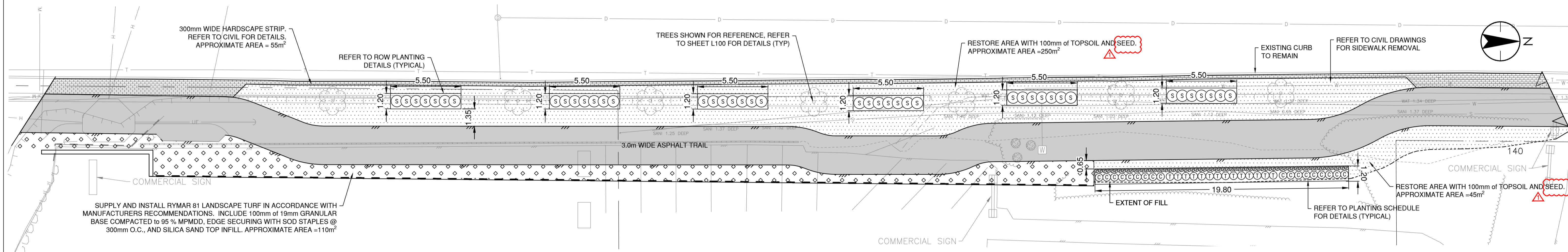
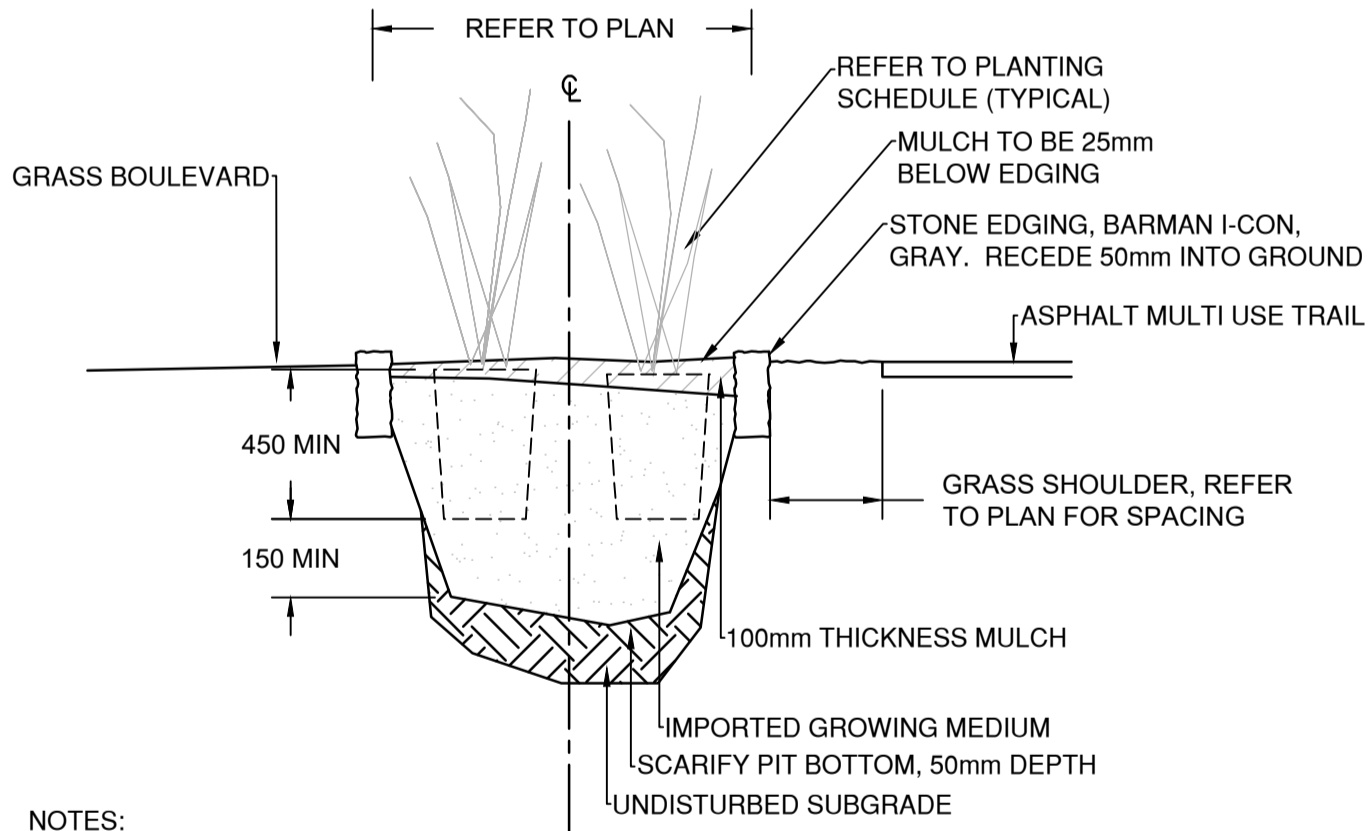


**PLANTING DETAIL STA 0+010 to 0+125**  
SCALE: 1:150

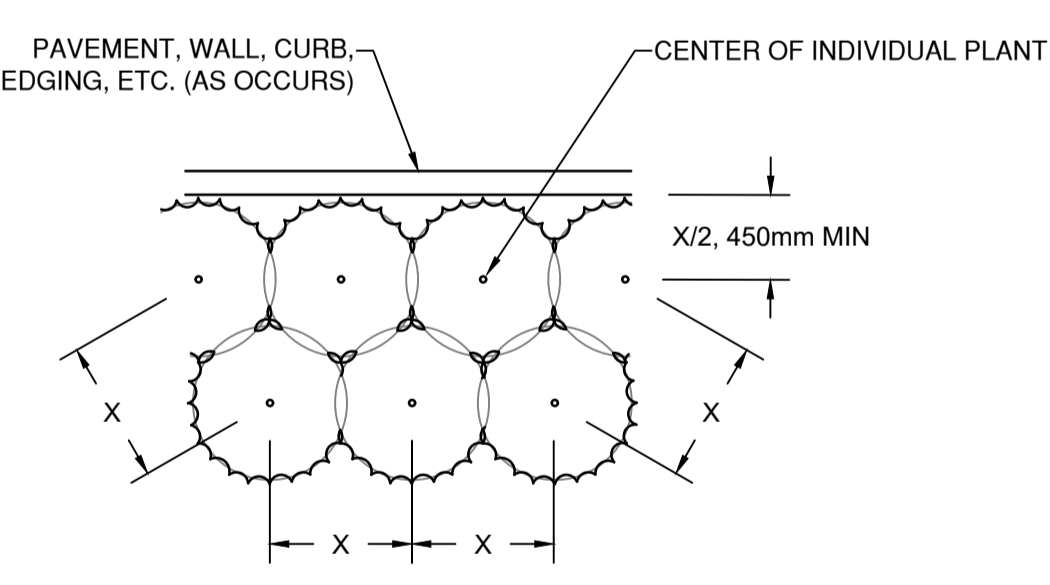


**PLANTING DETAIL STA 0+145 to 0+260**  
SCALE: 1:150

- NOTES**
- REFER TO SHEET L100 GENERAL NOTES, PLANTING NOTES AND TREE LAYOUT.
  - REFER TO SHEET L102 FOR IRRIGATION SYSTEM.



**ROW PLANTING DETAIL**  
SCALE: NTS



- NOTES:**
- X = SPACING DIMENSION LISTED IN PLANTING PLAN LEGEND.
  - PLANTS TO BE ARRANGED IN EQUILATERAL TRIANGULAR PATTERN.

**SPACING DETAIL**  
SCALE: NTS

| PLANTING SCHEDULE |       |  |                                       |           |          |               |
|-------------------|-------|--|---------------------------------------|-----------|----------|---------------|
| SYMBOL            | KEY   | BOTANICAL NAME                               | COMMON NAME                           | SIZE      | QUANTITY | PLANT SPACING |
| (M)               | SpFm  | Spiraea x bumalda 'Flaming Mound'            | Flaming Mound Spirea                  | #3 pot    | 28       | 700mm O.C.    |
| (G)               | SpGf  | Spiraea x bumalda 'Goldflame'                | Goldflame Spirea                      | #2.25 pot | 28       | 1000mm O.C.   |
| (P)               | ErCa  | Erica carnea 'Springwood Pink'               | Winter Heath                          | #1 pot    | 162      | 300mm O.C.    |
| (N)               | ChFan | Chamaecyparis pisifera 'Filifera Aurea Nana' | Dwarf Golden Thread-Leaf Cypress      |           | 14       | 1000mm O.C.   |
| (H)               | LaAg  | Lavandula angustifolia 'Hidcote'             | Hidcote Lavender                      | #1 pot    | 10       | 500mm O.C.    |
| (S)               | RoFc  | Rosa x 'NOA83100B' P.P. # 17373              | Flower Carpet(R) Scarlet Ground Cover | #1 pot    | 141      | 750mm O.C.    |
| (T)               | PoFr  | Potentilla fruticosa 'Mango Tango'           | Mango Tango Potentilla                | #3 pot    | 14       | 600mm O.C.    |
| (C)               | SpJa  | Spiraea x japonica 'Magic Carpet'            | Magic Carpet Spirea                   | #2 pot    | 18       | 600mm O.C.    |

V:\117\active\117201224\_drawing\current\100-101-1102.dwg 12/5/2023 3:46 PM TZOLYNIAK ORIGINAL SHEET - BO A1

| Revision               | By  | Appd. | YY.MM.DD |
|------------------------|-----|-------|----------|
| 1. ADDENDUM 4 REVISION |     |       |          |
| ISSUED FOR TENDER      | TAZ | AG    | 23.11.10 |
| Issued                 | By  | Appd. | YY.MM.DD |

Consultants

Permit-Seal

Client/Project  
CITY OF DUNCAN

TRANS-CANADA HIGHWAY  
MULTI-USE PATH  
Duncan, BC

400 - 655 Tye Road  
Victoria BC  
www.stantec.com

Copyright Reserved

The Contractor shall verify and be responsible for all dimensions. DO NOT scale the drawing - any errors or omissions shall be reported to Stantec without delay. The Copyrights to all designs and drawings are the property of Stantec. Reproduction or use for any purpose other than that authorized by Stantec is forbidden.

Title  
LANDSCAPE  
PLAN AND DETAILS

Project No.  
111720122

Drawing No.  
Sheet

Scale 0 2.5 7.5 12.5m  
1:250

Revision

File Name: L100-L101-L102

AF TZ 2018.06.04  
Dwn. Chkd. Dgn. YY.MM.DD

**L101** 12 of 16